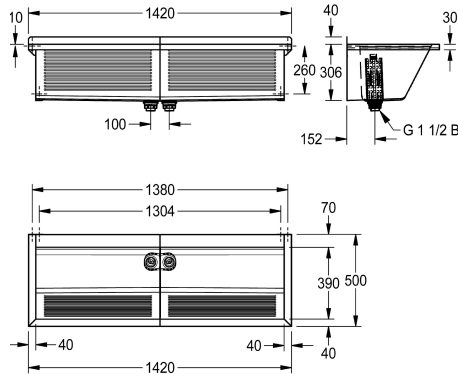


KWC SIRIUS Washtrough

Modell-Linie: SIRIUS | BS315N
Utility sinks | Multi purpose sink



KWC-No.

2030045755

SIRIUS washing trough, dimensions 1420 x 360 x 500 mm (W x H x D)

SIRIUS washtrough with 2 basins for wall mounting, stainless steel, satin finished surface, material thickness of trough 0.8 mm / side panels 1.2 mm, seamlessly welded side panels with integrated wall brackets, front panel with rubbing board, 70 mm lowered tap landing, no overflow, 40 mm rear upstand, 2 central wastes, G 1

1/2 B plastic standpipe strainers (x2), removable corner protection plates, includes fixings.

Dimensions 1420 x 346 x 500 mm (W x H x D)
Bowl dimensions 670 x 306 x 390 mm (W x H x D)

Technical Data

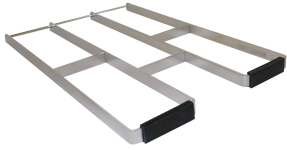
splash back height	40 mm
bowl position	Center
bowl - bowl height	306 mm
bowl finish	satin finished
bowl - depth	390 mm
bowl - width	670 mm
brushes	Without brushes
material	stainless steel
material code	1.4301 Chrome Nickel steel V2A
overall depth	500 mm
overall height	346 mm
overall width	1,420 mm
rear upstand	no
spillway	no
splash back	no
tap ledge	yes
type of mounting	wall mounting
type of utility sink	multi purpose sink
number of wash places	2
waste hole position	centre back
waste hole projection	150 mm
waste kit included	yes
waste size	DN 40

Optional Accessories



KWC SIRIUS
Washtrough

Modell-Linie: SIRIUS | BS315N
Utility sinks | Multi purpose sink



Folding grid

2000102678
ZSIFX001
