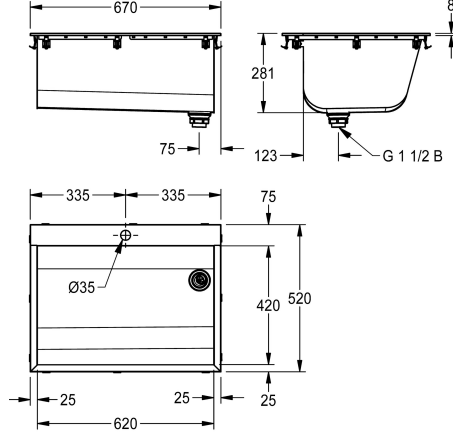


## KWC SIRIUS Washtrough

Modell-Linie: SIRIUS | BS323N  
Utility sinks | Multi purpose sink



### KWC-No.

#### 2030045756

SIRIUS washing trough, dimensions 670 x 285 x 520 mm (W x H x D)

#### 2030045757

without tap hole

### number of tap holes

1

SIRIUS washtrough for inset mounting, stainless steel, satin finished surface, material thickness of trough 0.8 mm / side panels 1.2 mm, seamlessly welded, front panel without rubbing board, 75 mm tap landing, with 35 mm tap hole, no overflow, right hand drain, G 1 1/2 B plastic standpipe strainer, includes seals and fixing claws for

inset mounting.

Dimensions 670 x 281 x 520 mm (W x H x D)  
Bowl dimensions 620 x 281 x 420 mm (W x H x D)  
Cut out size 655 x 505 mm (W x D)

### Technical Data

bowl position
bowl construction
bowl - bowl height
bowl finish
bowl - depth
bowl - width
brushes
drainer or storage
grid
material
material code
material thickness
number of waste holes
outlet size
overall depth
overall height
overall width
overflow
rear upstand
wash riffle
spillway
splash back
sump

Center
square corner
281 mm
satin finished
420 mm
620 mm
Without brushes
no
no
stainless steel
1.4301 Chrome Nickel steel V2A
0.8 mm
1
G 1 1/2 B
520 mm
281 mm
670 mm
standpipe overflow
no
no
no
no
no



## KWC SIRIUS Washtrough

**Modell-Linie: SIRIUS | BS323N**  
Utility sinks | Multi purpose sink

sump basket	no
surface finish	satin finished
number of tap holes	1
tap hole diameter	35 mm
tap hole position	middle
tap ledge	yes
type of mounting	inset mounting
type of utility sink	multi purpose sink
type of waste kit	standpipe strainer
number of wash places	1
waste hole position	right back corner
waste hole projection	195 mm
waste kit included	yes
waste size	DN 40