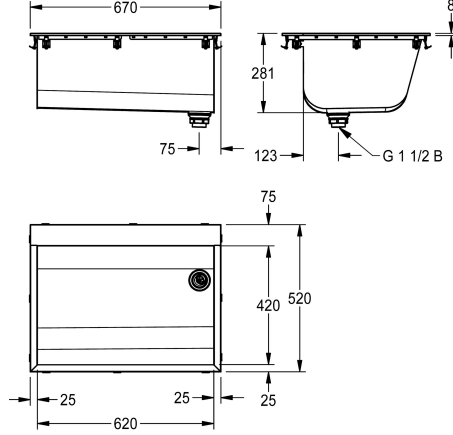


KWC SIRIUS Washtrough

Modell-Linie: SIRIUS | BS324N
Utility sinks | Multi purpose sink



KWC-No.

2030045756

SIRIUS washing trough, dimensions 670 x 285 x 520 mm (W x H x D)

2030045757

without tap hole

SIRIUS washtrough for inset mounting, stainless steel, satin finished surface, material thickness of trough 0.8 mm / side panels 1.2 mm, seamlessly welded, front panel without rubbing board, 75 mm tap landing, no tap holes, no overflow, right hand waste, G 1 1/2 B plastic standpipe strainer, includes seals and fixing claws for inset

number of tap holes

1

mounting.

Dimensions 670 x 281 x 520 mm (W x H x D)
Bowl dimensions 620 x 281 x 420 mm (W x H x D)
Cut out size 655 x 505 mm (W x D)

Technical Data

bowl position	Center
bowl construction	square corner
bowl - bowl height	281 mm
bowl finish	satin finished
bowl - depth	420 mm
bowl - width	620 mm
brushes	Without brushes
drainer or storage	no
grid	no
material	stainless steel
material code	1.4301 Chrome Nickel steel V2A
material thickness	0.8 mm
number of waste holes	1
outlet size	G 1 1/2 B
overall depth	520 mm
overall height	281 mm
overall width	670 mm
overflow	standpipe overflow
rear upstand	no
wash riffle	no
spillway	no
splash back	no
sump	no

Center
square corner
281 mm
satin finished
420 mm
620 mm
Without brushes
no
no
stainless steel
1.4301 Chrome Nickel steel V2A
0.8 mm
1
G 1 1/2 B
520 mm
281 mm
670 mm
standpipe overflow
no
no
no
no
no



KWC SIRIUS Washtrough

Modell-Linie: SIRIUS | BS324N
Utility sinks | Multi purpose sink

sump basket	no
surface finish	satin finished
tap ledge	yes
type of mounting	inset mounting
type of utility sink	multi purpose sink
type of waste kit	standpipe strainer
number of wash places	1
waste hole position	right back corner
waste hole projection	195 mm
waste kit included	yes
waste size	DN 40