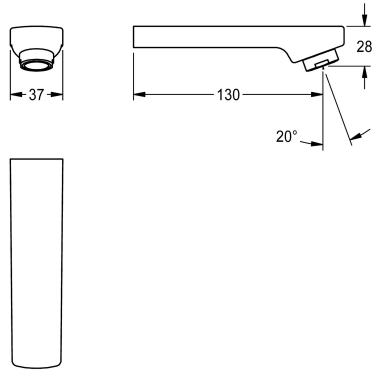


KWC

Outlet, 130 mm

Modell-Linie: F5 | ASEX1014
Spare parts | Spare parts taps



KWC-No.

2030048530

Outlet for F3E and F5E in-wall mounted fittings, with laminar jet controller with integrated flow regulator 6.0 l/min, projection 130

mm.

Technical Data

spout projection

130 mm

type of spout

wall outlet

volume flow rate at 3 bar

0.1 l/s