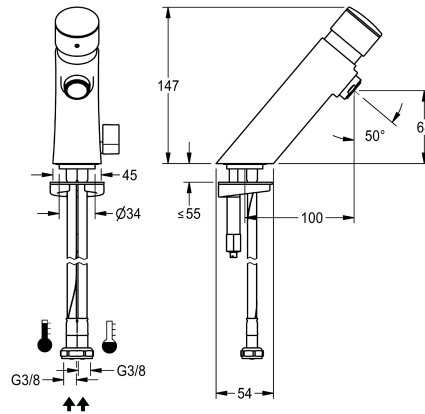


KWC F3S-Mix F3S-Mix self-closing pillar mixer

Modell-Linie: F3S | F3SM1008
Taps | Self closing taps



KWC-No.

2030049136

with anti-blocking system 2 (ABS2) for safety switch-off when actuated continuously

F3S-Mix self-closing DN 15 pillar mixer for sanitary facilities. Self-closing cartridge, hydraulically controlled, self-closing, stepless adjustment of flow duration. With anti-blocking system 2 (ABS2) for safety switch-off when permanently active. For connection to hot

protective shutdown

yes

and cold water via hoses with integrated non-return valves and strainers. Temperature lever with an adjustable turn-proof temperature stop. High-polished, chrome-plated brass housing. Aerator with an integrated flow rate controller 3.0 l/min.

Technical Data

with backflow preventer

depressurised

with filter

functional principle

hygiene flushing

diameter nominal

inlet size

Locking mechanism

material fitting

type of mixing

Pop-up waste set

with rosettes/cover plate

protective shutdown

Spout

spout projection

surface finish fitting

surface treatment fitting

temperature limit

type of mounting

type of operation

type of tap

water connection

Accent colour

Basic colour

yes

no

yes

hydraulic self-closing

no

DN 15

G 3/8

Top section, non-ceramic

brass

yes

no

no

yes

fixed

100 mm

chromed

polished

yes

tap hole

manual operation

pillar tap

hose (gland nut)

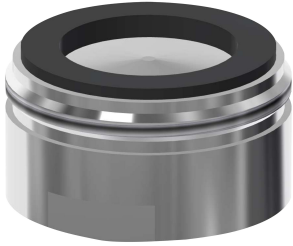
none

chrome-look (glossy)

KWC F3S-Mix F3S-Mix self-closing pillar mixer

Modell-Linie: F3S | F3SM1008
Taps | Self closing taps

Optional Accessories



Aerator 6.0 l/min

2000104691
ASXX1015



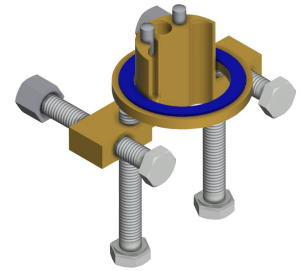
Theft-proof housing for aerator

2000104778
ZTAPS0005



PURETHERM under-table thermostat

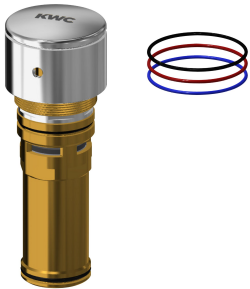
2030012758
PURE0031



Anti-twist protection for F5S

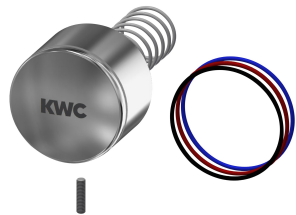
2030035383
ACXX1001

Spare Parts



Functional part

2030049138
ASSV1005



Push cap

2030052693
ASSX1005



Set screw M3x12

2030052713
ASSX1006



3.0 l/min. aerator

2030041424
ASXX1008



Temperature lever

2030042959
ASXM1004



Hose

2030041320
ASXM1001



Quick-action fastener

2030042441
ASEX1012