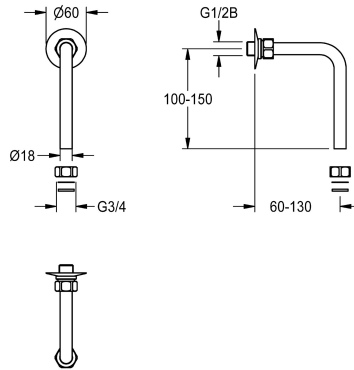


## KWC Bent outlet

Modell-Linie: **SHOWER-ACCESSORY | ACXX2005**  
Showers | Complementary parts showers



### KWC-No.

#### 2030050434

Bent outlet 120 x 150 mm, maximum mounting dimension 130 x 134 mm

#### 2030050435

Bent outlet 120 x 500 mm, maximum mounting dimension 130 x 484 mm

Bent outlet 120 x 150 mm, with reduction nipple G 1/2 B and 2 pinch union nuts G 3/4 x 18 mm. Chromium-plated brass.

Maximum mounting dimension 130 x 134 mm

### Technical Data

type of shower pipe

bent outlet