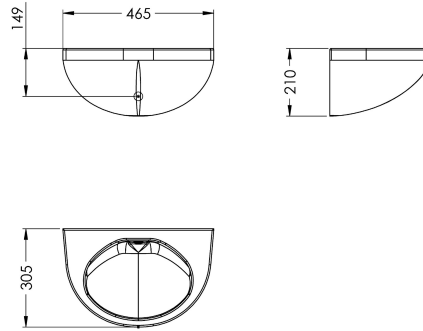


## KWC

### Hand washbasin

Modell-Linie: DVS | VR99-081

Washbasins & Washtroughs | Wash basins



#### KWC-No.

**2030053464**

Wall mounted hand wash basin, manufactured with 8 mm thick reinforced fiberglass and impact-resistant plastic. Seamless design with a white (RAL 9016) easy-care gel coat surface. Anti-ligature and vandal resistant design, for use in high-security areas. Oval bowl without overflow or tap hole, with a DN 32 waste.

Threaded M12 x 300 mm bolts for behind the wall mounted and siphon (not included) to be installed within a service room.

Dimensions 465 x 210 x 305 mm (W x H x D)  
Bowl dimensions 339 x 210 x 250 mm (W x H x D)

#### Technical Data

bowl - bowl height	210 mm
bowl - depth	250 mm
bowl - width	339 mm
material	synthetic
material thickness	8 mm
overall depth	305 mm
overall height	210 mm
overall width	465 mm
siphon diameter	DN 32
siphon included	no



#### Spare Parts

##### Stainless steel waste grid

**2030060183**

##### Rubber bung

**2030060185**



**KWC**

Hand washbasin

**Modell-Linie: DVS | VR99-081**

Washbasins & Washtroughs | Wash basins

VR01-032

VR01-033