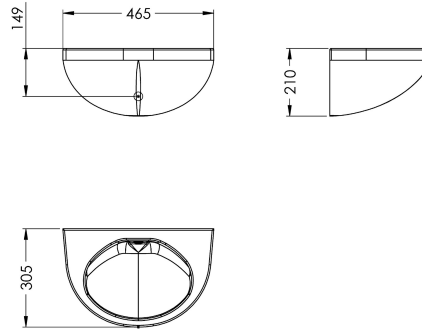


KWC

Hand washbasin

Modell-Linie: DVS | VR99-081

Washbasins & Washtroughs | Wash basins



KWC-No.

2030053464

Wall mounted hand wash basin, manufactured with 8 mm thick reinforced fiberglass and impact-resistant plastic. Seamless design with a white (RAL 9016) easy-care gel coat surface. Anti-ligature and vandal resistant design, for use in high-security areas. Oval bowl without overflow or tap hole, with a DN 32 waste.

Threaded M12 x 300 mm bolts for behind the wall mounted and siphon (not included) to be installed within a service room.

Dimensions 465 x 210 x 305 mm (W x H x D)
Bowl dimensions 339 x 210 x 250 mm (W x H x D)

Technical Data

bowl - bowl height	210 mm
bowl - depth	250 mm
bowl - width	339 mm
material	synthetic
material thickness	8 mm
overall depth	305 mm
overall height	210 mm
overall width	465 mm
siphon diameter	DN 32
siphon included	no



Spare Parts

Stainless steel waste grid

2030060183

Rubber bung

2030060185



KWC

Hand washbasin

Modell-Linie: DVS | VR99-081

Washbasins & Washtroughs | Wash basins

VR01-032

VR01-033