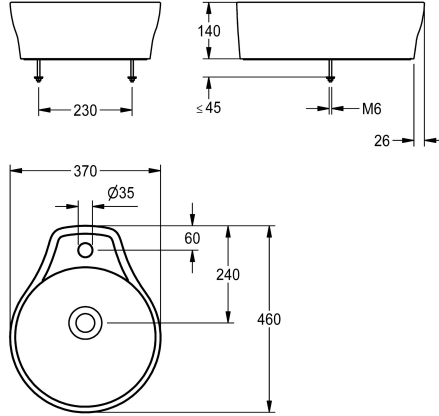


KWC RONDAtop Countertop washbasin

Modell-Linie: **RONDATOP | ANMT2002**
Washbasins & Washtroughs | Wash basins



KWC-No.

2030054381

RONDAtop countertop basin, made of MIRANIT resin-bonded mineral material with pore-free, alpine white smooth surface (temperature-resistant up to 80°C). Round shape with seamless bowl, without overflow, with shaped, lowered tap ledge and 35 mm tap hole (D). No silicone sealant is required due to the invisible seal

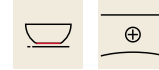
which is integrated in to the mounting edge. Drilling templates and mounting materials included.

Dimensions 370 x 140 x 460 mm (W x H x D)
Bowl dimensions 355 x 100 mm (W x H)

Technical Data

type of basin
bowl - bowl height
bowl - depth
bowl shape
bowl - width
material
material code
overall depth
overall height
overall width
overflow
siphon included
spillway
splash back
number of tap holes
tap hole diameter
tap hole position
tap ledge
tap ledge position
type of mounting
waste hole position
waste hole projection
waste kit included
waste size
waste sleeve included

Wash basin
100 mm
355 mm
circle
355 mm
mineral material
Miranit
460 mm
140 mm
370 mm
no
no
no
no
1
35 mm
middle
yes
back
table mounting
centre
240 mm
no
DN 32
no



KWC RONDAtop Countertop washbasin

Modell-Linie: **RONDATOP** | ANMT2002
Washbasins & Washtroughs | Wash basins

Optional Accessories



Dome waste valve, chrome-plated

2030057337
ZANMW0030



Dome waste valve, white

2030057339
ZANMW0031



Trap

2000057417
XINX140