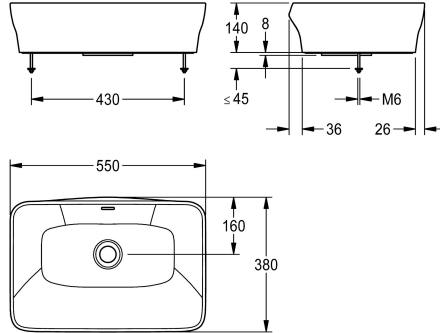


KWC QUADROtop Countertop washbasin

Modell-Linie: QUADROTOP | ANMT4002
Washbasins & Washtroughs | Wash basins



KWC-No.

2030054383

QUADROtop countertop basin

QUADROtop countertop basin, made of MIRANIT resin-bonded mineral material with pore-free, alpine white smooth surface (temperature-resistant up to 80 °C). Rectangular shape with rounded edges and seamless bowl, with overflow. No silicone sealant is required due to the invisible seal which is integrated in to

the mounting edge. Drilling templates and mounting materials included.

Dimensions 550 x 140 x 380 mm (W x H x D)
Bowl dimensions 535 x 100 x 355 mm (W x H x D)

Technical Data

type of basin
bowl position
bowl - bowl height
bowl - depth
bowl shape
bowl - width
colour
material
material code
overall depth
overall height
overall width
overflow
overflow position
siphon included
spillway
splash back
tap ledge
type of mounting
waste hole position
waste hole projection
waste kit included
waste size

Wash basin
Center
100 mm
355 mm
rectangle
535 mm
alpinewhite
mineral material
Miranit
380 mm
140 mm
100 mm
yes
back
no
yes
no
no
table mounting
centre
160 mm
no
DN 32



Optional Accessories

KWC QUADROtop Countertop washbasin

Modell-Linie: QUADROTOP | ANMT4002
Washbasins & Washtroughs | Wash basins



Dome waste valve, chrome-plated

2030057337
ZANMW0030



Dome waste valve, white

2030057339
ZANMW0031



Trap

2000057417
XINX140