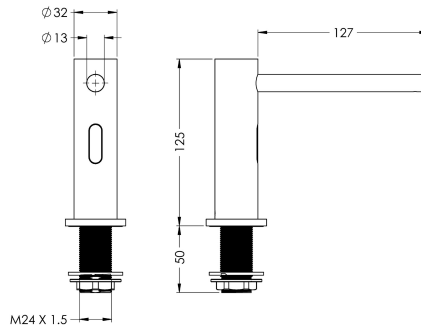


KWC

Electronic soap dispenser for washbasin mounting

Modell-Linie: DVS | SD99-013
Accessories | Soap dispensers



KWC-No.

2030039038

2030054678
with nickel-coated brushed surface

surface finish

chromed

brushed

Electronic soap dispenser for washbasin mounting, with optoelectronic control. Product consists of a container for liquid soap, a power supply and pump unit with 4 adjustable soap output volumes per sensor trigger. Sensor in all-metal housing with a nickel-coated brushed surface. Mains-operated with power supply

unit 230V AC including the option to connect an emergency back-up battery in case of mains supply failure or for off-grid operation with external 6V DC battery (4 x AA, not included in scope of delivery). Power supply, tank and pump can be wall mounted underneath the basin.

Technical Data

input supply voltage V

230 Volt

material

brass

surface finish

brushed

type of batteries

AA Mignon battery 1.5 V

type of mounting

mounted on product

type of operation

sensor operation