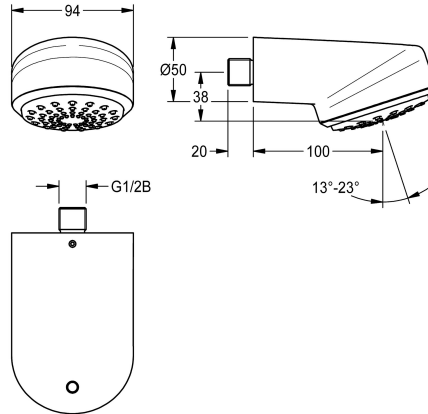


KWC AQUAJET-Comfort Shower head for wall connection

Modell-Linie: AQUAJET-COMFORT | SHAC0013
Showers | Shower heads



KWC-No.

2030055724

AQUAJET-Comfort shower head

AQUAJET-Comfort DN 15 shower head with plastic jet face continuously adjustable between 13–23°, anti-limescale system and low aerosol formation. For wall connector with insertable connecting nozzle, diameter 26 mm, high-polished chrome-plated

brass housing, with integrated flow regulator 9.0 l/min, ready for installation of anti-twist protection.

Also suitable for shower trays, 800 x 800 mm.

Technical Data

diameter nominal

DN 15

adjustable tilt angle

yes

type

shower head

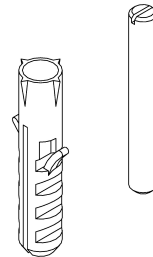
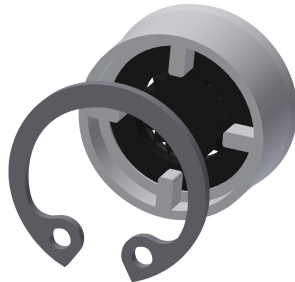
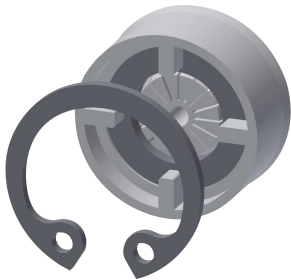
type of connection

wall connection

type of shower head

spray shower head

Optional Accessories



Flow controller 6.0 l/min

2030027586
ESHHE0004

Flow controller 12.0 l/min

2000104783
ESHHE0002

Anti-twist protection

2000101108
ZAQUA004

Adhesive flange

2000101467
ZAQUA701

KWC AQUAJET-Comfort Shower head for wall connection

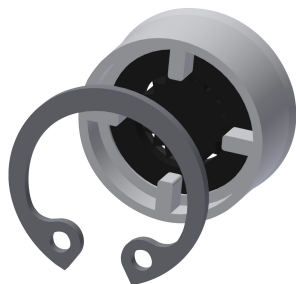
Modell-Linie: AQUAJET-COMFORT | SHAC0013
Showers | Shower heads



AQUAFIX bar

2000104310
ZCMPX005

Spare Parts



Flow controller 9,0 l/min

2000104782
ESHHE0001
