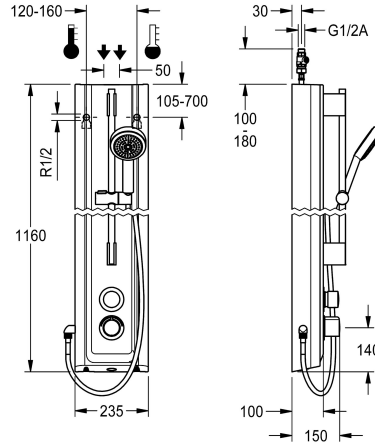


KWC F5S-Therm

Shower panel made of MIRANIT with hand shower fitting

Modell-Linie: F5S | F5ST2028

Showers | Self closing showers



KWC-No.

2030056546

F5S Therm shower panel made of mineral material for wall mounting with DN 15 self-closing thermostatic mixer and a hand shower fitting. Hydraulically controlled, for connection to hot water and cold water. Shower valve with integrated FRAMIC self-closing cartridge, thermostat and mechanism for an optional water hygiene unit for automatic water hygiene flushing, program-controlled thermal disinfection (additional bypass solenoid-operated flush valve cartridge required) and storage of statistical data. FRAMIC self-closing cartridge, low maintenance and stagnation free, with ceramic disc technology, self-closing, flow pressure independent due to the medium-independent design. Stepless adjustment of flow duration. Thermostat with metal handle, an adjustable and

turn-proof temperature stop and an option for manual thermal disinfection. All-metal construction, visible parts high-polished or chrome-plated. Pre-fitted chrome-plated brass shower pole with height-adjustable hand shower holder and chrome-plated plastic hand shower, shower head with rain jet, diameter 110 mm, shower hose 900 mm. Housing with raised function surface made of MIRANIT resin-bonded mineral material with pore-free smooth surface (temperature-resistant up to 80 °C), Alpine white colour. Connecting hoses with lockable water volume control with backflow preventer and strainer.

Dimensions of housing 235 x 1160 x 100 mm (W x H x D)

Technical Data

additional connections

no

with backflow preventer

yes

circulation

no

compatible A3000 open

no

connection with pay water disp

not possible

with filter

yes

adjustable flow time

yes

functional principle

hydraulic self-closing

for hand shower

yes

hygiene flushing

prepared

diameter nominal

DN 15

inlet size

G 1/2 A

Locking mechanism

Top section, ceramic

material casing

mineral material

material code casing

Miranit

material fitting

brass-look

maximum flow time

35 Seconds

minimum flow pressure

1 bar

minimum flow time

5 Seconds

type of mixing

with thermostat

overall depth

100 mm



KWC F5S-Therm

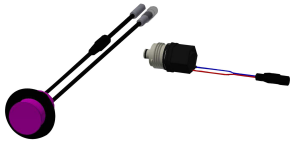
Shower panel made of MIRANIT with hand shower fitting

Modell-Linie: F5S | F5ST2028

Showers | Self closing showers

overall height	1,160 mm
overall width	235 mm
with rosettes/cover plate	yes
protective shutdown	no
shower pipe draining	no
with shower set	yes
surface finish fitting	chromed
surface treatment fitting	polished
temperature limit	yes
thermal disinfection	yes
type of mounting	wall mounting
type of operation	manual operation
type of shower	shower panel
water connection	hose (gland nut)
position of water connection	from top / backside
with soap dish	no
Accent colour	chrome-look (glossy)
Basic colour	white

Optional Accessories



Hygiene unit for F5S Therm shower panel

2030057064
ACST2004



Housing extension for F5 shower panels made of MIRANIT

2030057071
ACXX2016



Housing extension for F5 shower panels made of MIRANIT

2030057072
ACXX2017



Housing extension for F5 shower panels made of MIRANIT

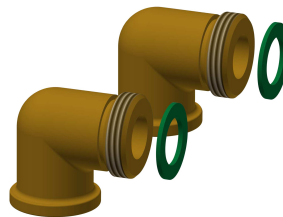
2030057073
ACXX2018



Housing extension for F5 shower panels made of MIRANIT



Housing extension for F5 shower panels made of MIRANIT



Connection set for shower panel

2000104916



Connection adapter

2000101441

KWC F5S-Therm

Shower panel made of MIRANIT with hand shower fitting

Modell-Linie: F5S | F5ST2028

Showers | Self closing showers

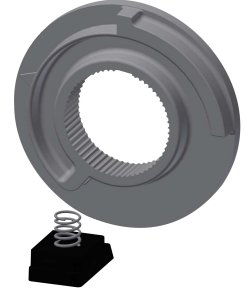
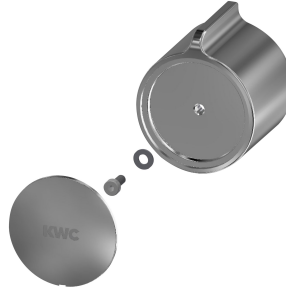
2030057075
ACXX2019

2030057076
ACXX2020

ZSHOW0006

AQRM928

Spare Parts



Hand shower

Cover

Temperature handle

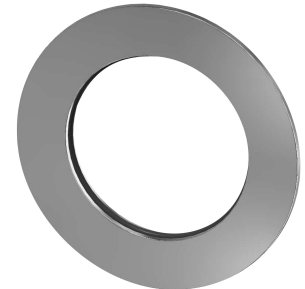
Temperature stop

2030051216
ACXX2007

2030031443
ESHOW0059

2030047082
ASXT9003

2030003296
EAQLT0003



Plug chromed

Push cap

Safety ring

Rosette

2030053006
ASSX9004

2030049943
ASST2001

2030048357
ASSX9003

2030048765
ASET2006



FRAMIC Self-closing cartridge

Stainless steel care set

Cleaning product CHROMOL

2030046145
ASSX9001

2000109019
ZWSPL0024

2000105091
ZWSPL0023