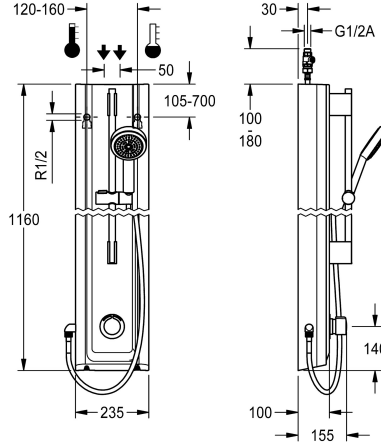


KWC F5S-Mix

Shower panel made of MIRANIT with hand shower fitting

Modell-Linie: F5S | F5SM2025
Showers | Self closing showers



KWC-No.

2030056550

F5S Mix shower panel made of mineral material for wall mounting with DN 15 self-closing single control mixer and connecting nozzles for a hand shower fitting. FRAMIC self-closing mixing cartridge, hydraulically controlled, low maintenance and stagnation free, with ceramic disc technology, self-closing, flow pressure independent due to the medium-independent design. Stepless adjustment of flow duration. With adjustable, turn-proof temperature stop. For connection to hot water and cold water. All-metal construction, visible parts high-polished or chrome-plated. Pre-fitted chrome-

plated brass shower pole with height-adjustable hand shower holder and chrome-plated plastic hand shower, shower head with rain jet, diameter 110 mm, shower hose 900 mm. Housing with raised function surface made of MIRANIT resin-bonded mineral material with pore-free smooth surface (temperature-resistant up to 80 °C), Alpine white colour. Connecting hoses with lockable water volume control with backflow preventer and strainer.

Dimensions of housing 235 x 1160 x 100 mm (W x H x D)

Technical Data

additional connections	no
with backflow preventer	yes
circulation	no
compatible A3000 open	no
connection with pay water disp	not possible
with filter	yes
adjustable flow time	yes
functional principle	hydraulic self-closing
for hand shower	yes
hygiene flushing	no
diameter nominal	DN 15
inlet size	G 1/2 A
Locking mechanism	Top section, ceramic
material casing	mineral material
material code casing	Miranit
material fitting	brass
maximum flow time	35 Seconds
minimum flow pressure	1 bar
minimum flow time	5 Seconds
type of mixing	yes
overall depth	100 mm
overall height	1,160 mm
overall width	235 mm

additional connections	no
with backflow preventer	yes
circulation	no
compatible A3000 open	no
connection with pay water disp	not possible
with filter	yes
adjustable flow time	yes
functional principle	hydraulic self-closing
for hand shower	yes
hygiene flushing	no
diameter nominal	DN 15
inlet size	G 1/2 A
Locking mechanism	Top section, ceramic
material casing	mineral material
material code casing	Miranit
material fitting	brass
maximum flow time	35 Seconds
minimum flow pressure	1 bar
minimum flow time	5 Seconds
type of mixing	yes
overall depth	100 mm
overall height	1,160 mm
overall width	235 mm



KWC F5S-Mix

Shower panel made of MIRANIT with hand shower fitting

Modell-Linie: F5S | F5SM2025

Showers | Self closing showers

with rosettes/cover plate	yes
protective shutdown	no
shower pipe draining	no
with shower set	yes
sound insulation	no
surface finish fitting	chromed
surface treatment fitting	polished
temperature limit	yes
thermal disinfection	no
type of mounting	wall mounting
type of operation	manual operation
type of shower	shower panel
water connection	hose (gland nut)
position of water connection	from top / backside
with soap dish	no
Accent colour	chrome-look (glossy)
Basic colour	white

Optional Accessories



Housing extension for F5 shower panels made of MIRANIT

2030057071
ACXX2016



Housing extension for F5 shower panels made of MIRANIT

2030057072
ACXX2017



Housing extension for F5 shower panels made of MIRANIT

2030057073
ACXX2018



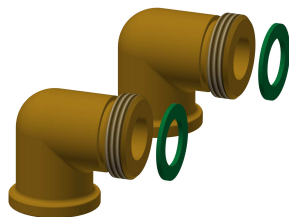
Housing extension for F5 shower panels made of MIRANIT

2030057075
ACXX2019



Housing extension for F5 shower panels made of MIRANIT

2030057076
ACXX2020



Connection set for shower panel

2000104916
ZSHOW0006



Connection adapter

2000101441
AQRM928

KWC F5S-Mix

Shower panel made of MIRANIT with hand shower fitting

Modell-Linie: F5S | F5SM2025

Showers | Self closing showers

Spare Parts



Hand shower

2030051216
ACXX2007



Plug chromed

2030053006
ASSX9004



Handle push cap

2030050753
ASSM9004



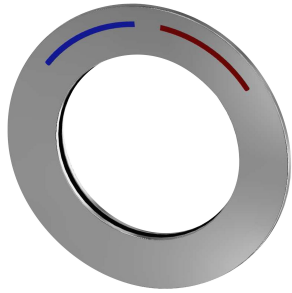
Temperature stop

2030046189
ASSM9002



Safety ring

2030048357
ASSX9003



Rosette

2030045510
ASXM2003



FRAMIC self-closing mixing cartridge

2030046185
ASSM9001