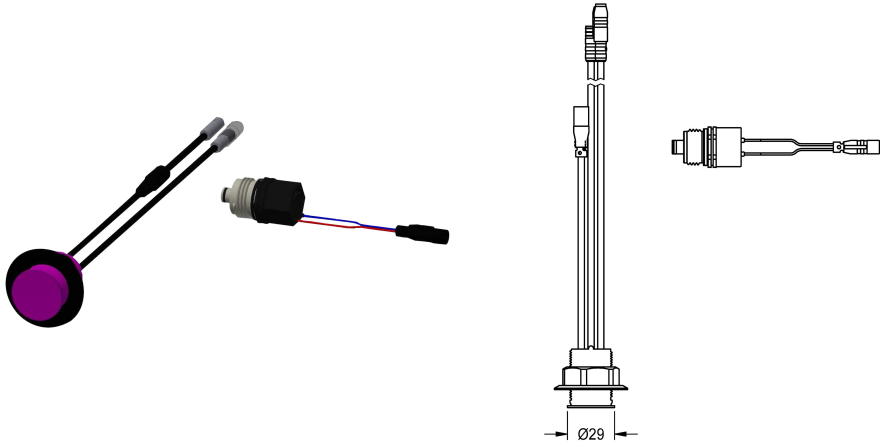


## KWC

Hygiene unit for F5S Therm shower panel

Modell-Linie: SHOWER-ACCESSORY | ACST2004

Showers | Complementary parts showers



### KWC-No.

**2030057064**

Hygiene unit for F5S Therm shower panel

Hygiene unit for F5S Therm self-closing thermostatic mixer shower panel, for automatic water hygiene flushing, program-controlled thermal disinfection (additional bypass solenoid-operated flush valve cartridge required) and storage of statistical data. Sensor with control electronics and solenoid valve cartridge. Activated water hygiene flushing (30 s) at fixed interval of 24 hours. With option for parameterization and communication via the optional

bidirectional remote control. Optional hygiene unit for battery operation with 6 V lithium battery (CR-P2) per fitting or separate power supply via plug-in power supply unit 6.75 V/12 V DC.

Battery compartment including battery or plug-in power supply unit with extension cable to be ordered separately.

### Technical Data

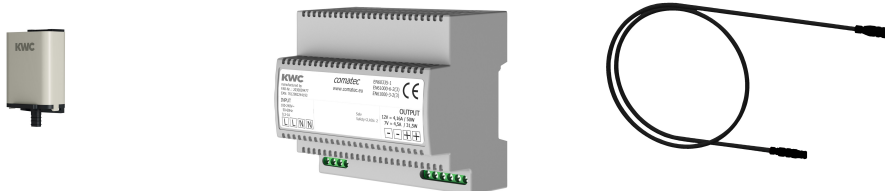
quantity

1

quantity uom

piece

### Mandatory Accessories



#### Battery compartment

**3600002063**  
ACEX9023

#### Power supply unit

**2030039477**  
ACEX9001

#### Extension cable 5 m

**2030043814**  
ACEX9010

### Optional Accessories

## KWC

Hygiene unit for F5S Therm shower panel

Modell-Linie: SHOWER-ACCESSORY | ACST2004

Showers | Complementary parts showers



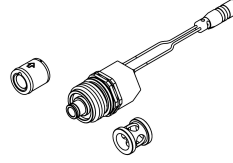
**Bidirectional remote control for electronic fittings F3 and F5**

**2030036654**  
ACEX9005



**2-button remote control for fittings F3 and F5**

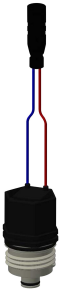
**2030036849**  
ACEX9004



**Set for thermal disinfection**

**2030057940**  
ACXT2001

### Spare Parts



**Solenoid valve cartridge**

**2030003033**  
EAQFU0001