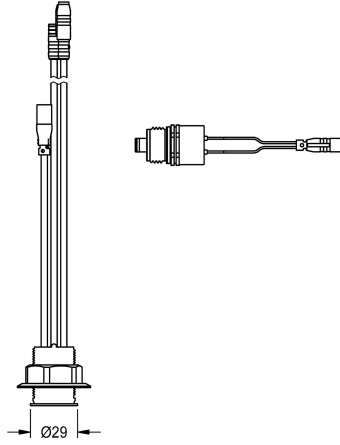
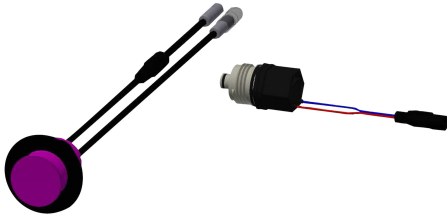


KWC

Hygiene unit for F5S Therm shower panel

Modell-Linie: SHOWER-ACCESSORY | ACST2004

Showers | Complementary parts showers



KWC-No.

2030057064

Hygiene unit for F5S Therm shower panel

Hygiene unit for F5S Therm self-closing thermostatic mixer shower panel, for automatic water hygiene flushing, program-controlled thermal disinfection (additional bypass solenoid-operated flush valve cartridge required) and storage of statistical data. Sensor with control electronics and solenoid valve cartridge. Activated water hygiene flushing (30 s) at fixed interval of 24 hours. With option for parameterization and communication via the optional

bidirectional remote control. Optional hygiene unit for battery operation with 6 V lithium battery (CR-P2) per fitting or separate power supply via plug-in power supply unit 6.75 V/12 V DC.

Battery compartment including battery or plug-in power supply unit with extension cable to be ordered separately.

Technical Data

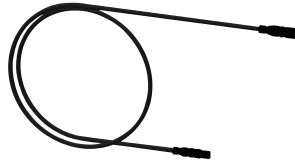
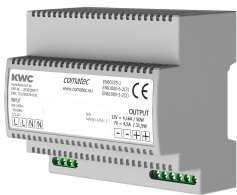
quantity

1

quantity uom

piece

Mandatory Accessories



Power supply unit

2030039477

ACEX9001

Extension cable 5 m

2030043814

ACEX9010

Optional Accessories

KWC

Hygiene unit for F5S Therm shower panel

Modell-Linie: SHOWER-ACCESSORY | ACST2004

Showers | Complementary parts showers



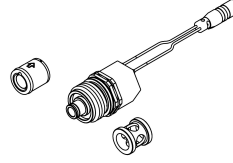
Bidirectional remote control for electronic fittings F3 and F5

2030036654
ACEX9005



2-button remote control for fittings F3 and F5

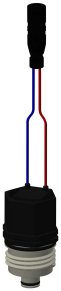
2030036849
ACEX9004



Set for thermal disinfection

2030057940
ACXT2001

Spare Parts



Solenoid valve cartridge

2030003033
EAQFU0001