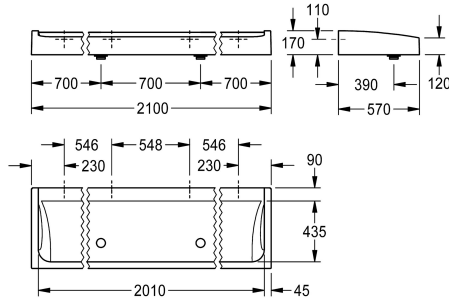


KWC FUTURA exklusiv Multiple washbasin

Modell-Linie: **FUTURA-EXKLUSIV | SANW2100**
Washbasins & Washtroughs | Washtroughs



KWC-No.

2030057408
Width 1800 mm

2030057409
Width 2100 mm

2030057410
Width 2400 mm

overall width

1,800 mm

2,100 mm

2,400 mm

FUTURA eksklusiv multiple washbasin for wall mounting or free-standing double-row installation, made of MIRANIT resin-bonded mineral material with a smooth pore-free surface (temperature-resistant up to 80 °C), Alpine white colour. 90 mm tap ledge without tap holes, mounting on back panel, all-round apron. Includes G 2 B dome waste valve and mounting material.

Dimensions 2100 x 170 x 570 mm (W x H x D)

For free-standing double-row installation, the bridge feet must be ordered separately.

Technical Data

| | |
|-----------------------|------------------|
| colour | alpinewhite |
| material | mineral material |
| material code | Miranit |
| number of waste holes | 2 |
| overall depth | 570 mm |
| overall height | 170 mm |
| overall width | 2,100 mm |
| splash back | no |
| tap ledge | yes |
| type of mounting | wall mounting |
| type of waste kit | domed waste |
| wash place width | 700 mm |
| number of wash places | 3 |
| waste hole position | centre front |
| waste kit included | yes |
| waste size | DN 50 |

| |
|------------------|
| alpinewhite |
| mineral material |
| Miranit |
| 2 |
| 570 mm |
| 170 mm |
| 2,100 mm |
| no |
| yes |
| wall mounting |
| domed waste |
| 700 mm |
| 3 |
| centre front |
| yes |
| DN 50 |

Optional Accessories

KWC FUTURA exklusiv Multiple washbasin

Modell-Linie: FUTURA-EXKLUSIV | SANW2100
Washbasins & Washtroughs | Washtroughs



Angled leg

2000105049
SANW0117



Angled leg

2000104999
SANW0118



Bridge leg

2030063270
SANW0119



Bridge leg

2030063271
SANW0120
