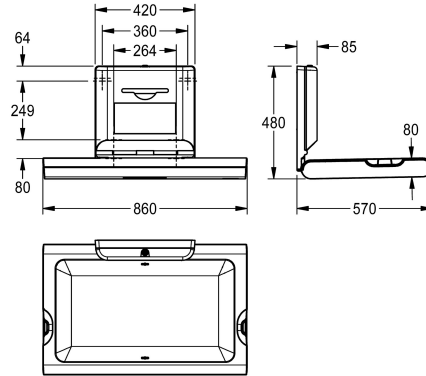


## KWC CAMBRINO Horizontal baby changing table

Modell-Linie: CAMBRINO | CAMB10HP  
Baby changing tables | Baby change units



### KWC-No.

**2030057691**

**2030057693**

with front panel made of stainless steel

### Accent colour

white

stainless steel

CAMBRINO horizontal baby changing table for wall mounting, made of polypropylene with antibacterial Biocote® protection, white colour, hinged, with integrated shock absorber for safe opening and closing, nylon safety belt and hooks on both sides, lockable dispenser for single-use paper covers in Interfold folding with maximum width 260 mm. Certified according to EN 12221-1 and

EN 12221-2. Including mounting material and 80 single-use paper covers.

Dimensions when closed 860 x 565 x 100 mm (W x H x D)

Dimensions when open 860 x 480 x 570 mm (W x H x D)

### Technical Data

hinged

material

Maximum load capacity

overall depth

overall height

overall width

surface material

type of mounting

Accent colour

Basic colour

yes

synthetic

11 Kilogram

100 mm

565 mm

860 mm

synthetic

wall mounting

white

white

### Consumables





## **KWC** CAMBRINO

Horizontal baby changing table

**Modell-Linie: CAMBRINO | CAMB10HP**  
Baby changing tables | Baby change units

### **Single-use paper covers**

---

**2030057745**  
ECAMB001

---