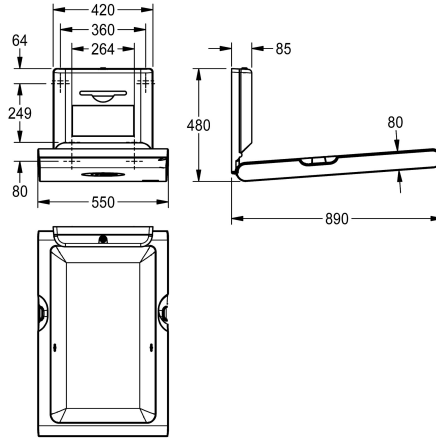


KWC CAMBRINO Vertical baby changing table

Modell-Linie: CAMBRINO | CAMB22VS
Baby changing tables | Baby change units



KWC-No.

2030057694

2030057695

with front panel made of stainless steel

Accent colour

white

stainless steel

CAMBRINO vertical baby changing table for wall mounting, made of polypropylene with antibacterial Biocote® protection, white colour, front panel made of stainless steel, hinged, with integrated shock absorber for safe opening and closing, nylon safety belt and hooks on both sides, lockable dispenser for single-use paper covers in interfold folding with maximum width 260 mm. Certified

according to EN 12221-1 and EN 12221-2. Including mounting material and 80 single-use paper covers.

Dimensions when closed 550 x 890 x 100 mm (W x H x D)

Dimensions when open 550 x 480 x 890 mm (W x H x D)

Technical Data

hinged

material

Maximum load capacity

overall depth

overall height

overall width

surface material

type of mounting

Accent colour

Basic colour

yes

synthetic

11 Kilogram

100 mm

890 mm

550 mm

synthetic

wall mounting

stainless steel

white

Consumables





KWC CAMBRINO

Vertical baby changing table

Modell-Linie: CAMBRINO | CAMB22VS
Baby changing tables | Baby change units

Single-use paper covers

2030057745
ECAMB001
