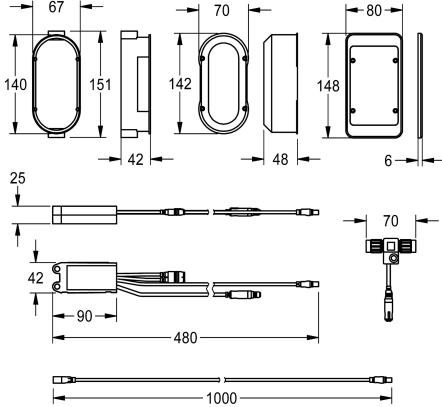


KWC AQUA3000OPEN

Electronic module EM5 with ID 02010, with flush box

Modell-Linie: AQUA3000OPEN | ACEX1004

Water management systems | Complementary parts water management



KWC-No.

2030041520

Electronic module EM5 with ID 02010 for F5EV1004/1008 and F5EM1004/1010

2030059118

Electronic module EM5 with ID 02010, with flush box, for F5EV1004/1008 and F5EM1004/1010

2030041914

Electronic module EM5 with ID 02050 for F5ET1004/1005/1006 and F5ET1019/1020/1021

2030041915

Electronic module EM5 with ID 02020 for F5ET1013

2030041916

Electronic module EM5 with ID 02030 for F5ET1014

2030041917

Electronic module EM5 with ID 02040 for F5ET1015

2030065092

Electronic module EM5 with ID 02090 for F5EV1013

Electronic module EM5 with ID 02010 and electronic T-distribution for installation in walls with flush box and cover made of plastic 150

x 80 mm. For connection in water management system AQUA 3000 open, 24 V DC.

Technical Data

quantity
quantity uom

1
piece



Mandatory Accessories



KWC AQUA3000OPEN Electronic module EM5 with ID 02010, with flush box

Modell-Linie: AQUA3000OPEN | ACEX1004
Water management systems | Complementary parts water management

ECC2 function controller

2000108123
ZA3OP0011



ECC2 function controller

2030016282
ZA3OP0022



System cable

2000100801
ZAQUA077

System cable

2000100852
ZAQUA078

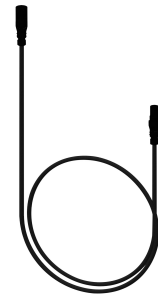
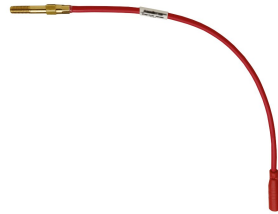
System cable

2000104272
ZAQUA011

System cable

2000104274
ZAQUA012

Optional Accessories



Extension cable

2000101055
ZAQUA073

Screw-in temperature sensor

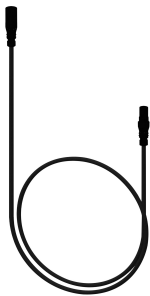
2000100972
ZAQUA017

Extension cable for sensor

2030041919
ACEX9006

Extension cable for sensor

2030041920
ACEX9007



Extension cable

2030056669
ACEX9013



KWC AQUA3000OPEN

Electronic module EM5 with ID 02010, with flush box

Modell-Linie: AQUA3000OPEN | ACEX1004

Water management systems | Complementary parts water management