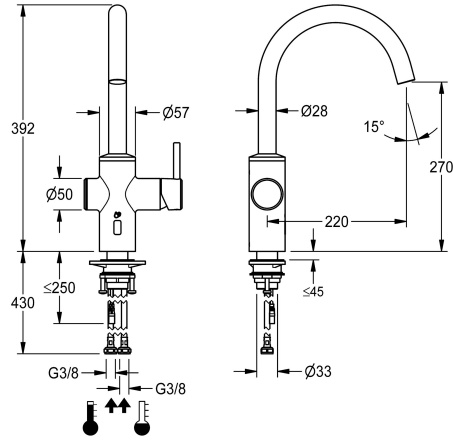


## KWC F5LME Hybrid kitchen fitting

Modell-Linie: F5L | F5LME001  
Taps | Manual taps



### KWC-No.

**2030061048**

F5LME hybrid kitchen fitting DN 15 as pillar mixer with swivelling spout, can be locked in the centre position. Adjustable swivel ranges of 50°, 120° and 360°. For connection to hot water and cold water via hoses with strainers. Single lever mixer with mixer cartridge with ceramic disc technology and adjustable, turn-proof temperature stop. Alternative activation using hand reflection via an opto-electronic sensor for time-controlled water release with preset mixing water temperature. Mixer cartridge, solenoid valve and sensor with control electronics in all-metal housing, brushed stainless steel. Laminar jet controller with integrated flow rate controller (8.0 l/min). Projection 220 mm. Activated water hygiene

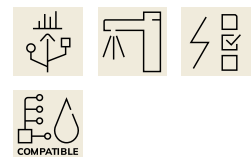
flushing 24 hours after last activation, safety switch-off for continuous reflection and saving of statistical data. With option for parametrisation and communication via optional, bidirectional remote control. Optionally for battery operation with battery compartment including 6 V lithium battery (CR-P2) per fitting for installation under the kitchen sink or for separate power supply via 6.75 V/12 V DC power supply unit or AQUA 3000 open system accessories.

Battery compartment including battery or power supply unit with extension cable must be ordered separately.

### Technical Data

|                           |
|---------------------------|
| depressurised             |
| with filter               |
| functional principle      |
| hygiene flushing          |
| diameter nominal          |
| Locking mechanism         |
| material fitting          |
| minimum flow pressure     |
| type of mixing            |
| Pop-up waste set          |
| with rosettes/cover plate |
| Spout                     |
| spout projection          |
| surface finish fitting    |
| temperature limit         |
| thermal disinfection      |
| type of mounting          |
| type of operation         |
| type of tap               |
| volume flow rate at 3 bar |
| water connection          |
| Accent colour             |

|                          |
|--------------------------|
| no                       |
| yes                      |
| manual                   |
| prepared                 |
| DN 15                    |
| Top section, non-ceramic |
| stainless steel          |
| 1 bar                    |
| yes                      |
| no                       |
| no                       |
| rotating, top            |
| 220 mm                   |
| brushed                  |
| yes                      |
| yes                      |
| tap hole                 |
| manual operation         |
| pillar tap               |
| 0.13 l/s                 |
| hose (gland nut)         |
| none                     |



## KWC F5LME Hybrid kitchen fitting

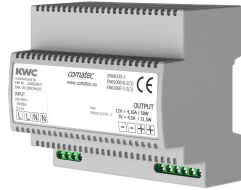
Modell-Linie: F5L | F5LME001  
Taps | Manual taps

### Mandatory Accessories



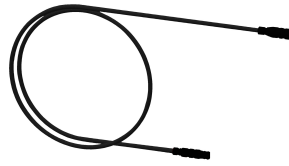
#### Battery compartment

**3600002063**  
ACEX9023



#### Power supply unit

**2030039477**  
ACEX9001



#### Extension cable 5 m

**2030043814**  
ACEX9010



#### Plug-in power supply unit

**3600002062**  
ACEX9022



#### In-wall power supply

**2030039825**  
ACEX9003

### Optional Accessories



#### Bidirectional remote control for electronic fittings F3 and F5

**2030036654**  
ACEX9005



#### 2-button remote control for fittings F3 and F5

**2030036849**  
ACEX9004



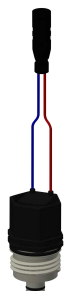
#### PURETHERM under-table thermostat

**2030012758**  
PURE0031

## KWC F5LME Hybrid kitchen fitting

Modell-Linie: F5L | F5LME001  
Taps | Manual taps

### Spare Parts



**Solenoid valve cartridge**

---

**2030045522**  
ACXX9002

---



**Backflow preventer DN 6**

---

**2030045816**  
ASXX9002

---