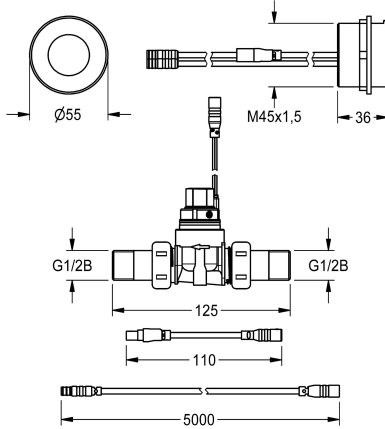
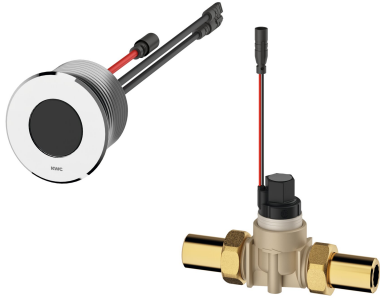


KWC F5E Urinal flush valve for concealed mounting

Modell-Linie: F5E | F5EF3002
Flushing systems | Electronic urinal flushing systems



KWC-No.

2030062317

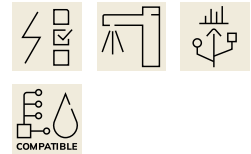
F5E Urinal flush valve DN 15 for concealed mounting, opto-electronic control. With round sensor (diameter 55 mm), with integrated control electronics and deactivation of cleaning, high-polished chrome-plated brass, to be screwed in from rear, with anti-twist protection, solenoid valve with screw fixings G 1/2 B, extension cable for solenoid valve, length 5 m. Activated water hygiene flushing 24 hours after last activation and saving of statistical data. With option for parameterization and communication via optional,

bidirectional remote control. Optional for battery operation with 6 V lithium battery (CR-P2) per fitting or separate power supply via power supply unit 6.75 V/12 V DC or AQUA 3000 open system accessories.

Battery compartment including battery or power supply unit with extension cable must be ordered separately.

Technical Data

default automatic hygiene flush	24h after the last activity
Flushing volume adjustable	no
functional principle	electronic self-closing
diameter nominal	DN 15
inlet size	G 1/2 B
material fitting	synthetic
maximum flow pressure	4 bar
maximum flushing flow	0.7 l/s
maximum flush water volume	4 Liter
minimum flow pressure	1 bar
minimum flushing flow	0.3 l/s
minimum flush water volume	2 Liter
Parameterization	remote control
power supply connection	6,75 / 12 V DC / A3000 open
Type of power supply	Transformer
protective shutdown	yes
sound insulation	no
with transformer/power supply	no
type of flushing fitting	urinal flush valve
type of mounting	concealed
type of operation	sensor operation
type of sensor	opto-electronic sensor
water connection	threaded connection (external)



KWC F5E

Urinal flush valve for concealed mounting

Modell-Linie: F5E | F5EF3002

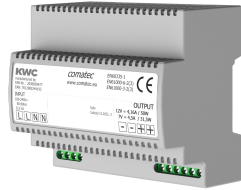
Flushing systems | Electronic urinal flushing systems

Mandatory Accessories



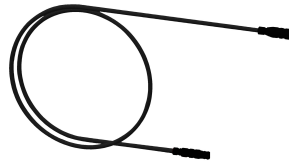
Battery compartment

360002063
ACEX9023



Power supply unit

2030039477
ACEX9001



Extension cable 5 m

2030043814
ACEX9010

Optional Accessories



Bidirectional remote control for electronical fittings F3 and F5

2030036654
ACEX9005



2-button remote control for fittings F3 and F5

2030036849
ACEX9004



Electronic module for F5 urinal flush valves

2030056786
ACEF3001



Cover plate

2000101054
ZAQUA084