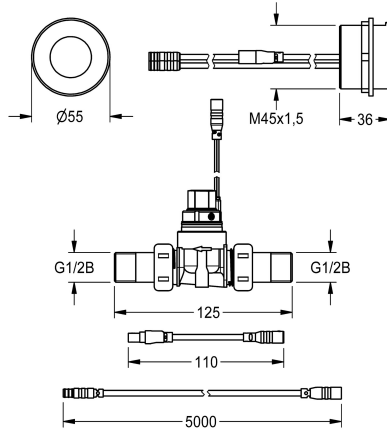
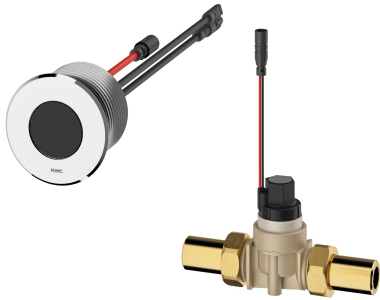


KWC F5E

Urinal flush valve for concealed mounting

Modell-Linie: F5E | F5EF3002

Flushing systems | Electronic urinal flushing systems



KWC-No.

2030062317

F5E Urinal flush valve DN 15 for concealed mounting, opto-electronic control. With round sensor (diameter 55 mm), with integrated control electronics and deactivation of cleaning, high-polished chrome-plated brass, to be screwed in from rear, with anti-twist protection, solenoid valve with screw fixings G 1/2 B, extension cable for solenoid valve, length 5 m. Activated water hygiene flushing 24 hours after last activation and saving of statistical data. With option for parameterization and communication via optional,

bidirectional remote control. Optional for battery operation with 6 V lithium battery (CR-P2) per fitting or separate power supply via power supply unit 6.75 V/12 V DC or AQUA 3000 open system accessories.

Battery compartment including battery or power supply unit with extension cable must be ordered separately.

Technical Data

default automatic hygiene flush

Flushing volume adjustable

functional principle

diameter nominal

inlet size

material fitting

maximum flow pressure

maximum flushing flow

maximum flush water volume

minimum flow pressure

minimum flushing flow

minimum flush water volume

Parameterization

power supply connection

Type of power supply

protective shutdown

sound insulation

with transformer/power supply

type of flushing fitting

type of mounting

type of operation

type of sensor

water connection

24h after the last activity

no

electronic self-closing

DN 15

G 1/2 B

synthetic

4 bar

0.7 l/s

4 Liter

1 bar

0.3 l/s

2 Liter

remote control

6,75 / 12 V DC / A3000 open

Transformer

yes

no

no

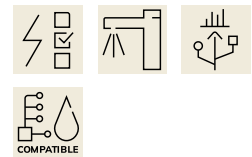
urinal flush valve

concealed

sensor operation

opto-electronic sensor

threaded connection (external)



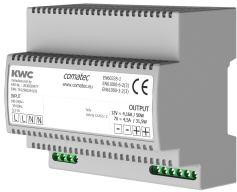
KWC F5E

Urinal flush valve for concealed mounting

Modell-Linie: F5E | F5EF3002

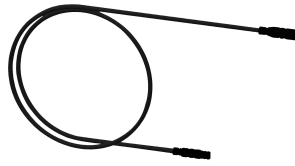
Flushing systems | Electronic urinal flushing systems

Mandatory Accessories



Power supply unit

2030039477
ACEX9001



Extension cable 5 m

2030043814
ACEX9010

Optional Accessories



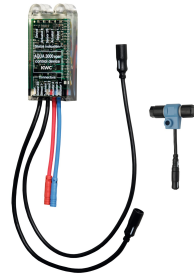
Bidirectional remote control for electronical fittings F3 and F5

2030036654
ACEX9005



2-button remote control for fittings F3 and F5

2030036849
ACEX9004



Electronic module for F5 urinal flush valve

2030056786
ACEF3001



Cover plate

2000101054
ZAQUA084