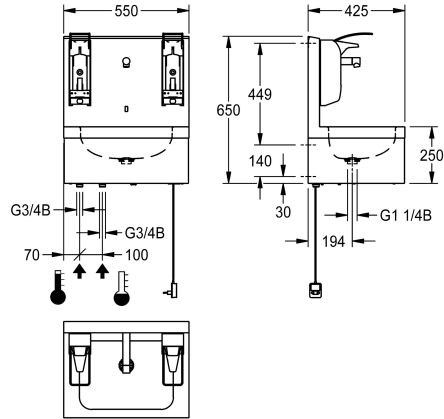


KWC SATURN Hygiene washbasin

Modell-Linie: SATURN | HWTE0001
Hospital equipment | Surgeon scrub-up units



KWC-No.

2030062338

Hygiene washbasin for wall mounting, housing made of 304 chromium-nickel steel, satin finished surface, floor with inspection opening, seamless moulded bowl, without overflow, strainer waste G 1 1/4 B. With touch-free, opto-electronically controlled F5E washbasin tap and wall outlet, high-polished chrome-plated brass. With covered thermostat DN 15, for connection to hot and cold

water. Installed arm lever dispenser on left and right, for filling on-site. Water and electronic connection from below, includes mounting materials, with 230 V AC plug-in power supply unit.

Dimensions 550 x 650 x 425 mm (W x H x D)

Optional Accessories



**Bidirectional remote control for
electronical fittings F3 and F5**

2030036654
ACEX9005



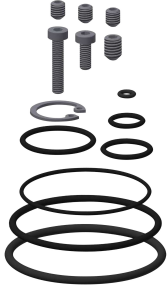
**2-button remote control for fittings F3
and F5**

2030036849
ACEX9004

Spare Parts

KWC SATURN Hygiene washbasin

Modell-Linie: SATURN | HWTE0001
Hospital equipment | Surgeon scrub-up units



Mounting set

2000104797
ESHAQ0002



PURETHERM under-table thermostat

2030012758
PURE0031



Cleaning product CHROMOL

2000105091
ZWSP0023



Stainless steel care set

2000109019
ZWSP0024



MEDCARE dispenser for liquid soaps
and disinfectants

3600003341
MEDC10L