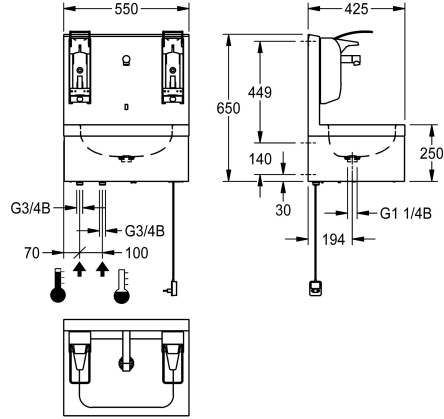


## KWC SATURN Hygiene washbasin

Modell-Linie: SATURN | HWTE0001  
Hospital equipment | Surgeon scrub-up units



### KWC-No.

**2030062338**

Hygiene washbasin for wall mounting, housing made of 304 chromium-nickel steel, satin finished surface, floor with inspection opening, seamless moulded bowl, without overflow, strainer waste G 1 1/4 B. With touch-free, opto-electronically controlled F5E washbasin tap and wall outlet, high-polished chrome-plated brass. With covered thermostat DN 15, for connection to hot and cold

water. Installed arm lever dispenser on left and right, for filling on-site. Water and electronic connection from below, includes mounting materials, with 230 V AC plug-in power supply unit.

Dimensions 550 x 650 x 425 mm (W x H x D)

### Optional Accessories



**Bidirectional remote control for  
electronic fittings F3 and F5**

**2030036654**  
ACEX9005



**2-button remote control for fittings F3  
and F5**

**2030036849**  
ACEX9004

### Spare Parts

## KWC SATURN Hygiene washbasin

Modell-Linie: SATURN | HWTE0001  
Hospital equipment | Surgeon scrub-up units



**PURETHERM under-table thermostat**

**2030012758**  
PURE0031



**Cleaning product CHROMOL**

**2000105091**  
ZWSPL0023



**Stainless steel care set**

**2000109019**  
ZWSPL0024



**MEDCARE dispenser for liquid soaps  
and disinfectants**

**3600003341**  
MEDC10L