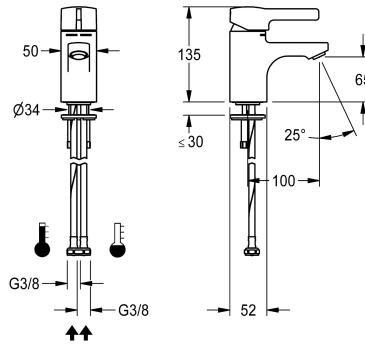


KWC F5L-Mix Single-lever pillar mixer

Modell-Linie: F5L | F5LM1033
Taps | Manual taps



KWC-No.

2030066466

F5L-Mix single-lever pillar mixer DN 15 for sanitary facilities. Mixer cartridge with ceramic disc technology and adjustable, turn-proof temperature stop. With mechanism for optional hygiene unit for automatic hygiene flushing, program-controlled thermal disinfection

and storage of statistical data. For connection to hot water and cold water via hoses, includes strainers. All-metal construction, high-polished chrome-plated brass. Anti-theft aerator, SLIM design, with integrated flow rate controller 5.0 l/min, projection 100 mm.

Technical Data

with backflow preventer

no

depressurised

no

with filter

yes

functional principle

manual

hygiene flushing

prepared

diameter nominal

DN 15

inlet size

G 3/8

Locking mechanism

Top section, non-ceramic

material fitting

brass

minimum flow pressure

1 bar

Pop-up waste set

no

with rosettes/cover plate

no

sound insulation

no

Spout

fixed

spout projection

100 mm

surface finish fitting

chromed

surface treatment fitting

polished

temperature limit

yes

thermal disinfection

yes

type of mounting

tap hole

type of operation

manual operation

type of tap

pillar tap

volume flow rate at 3 bar

0.08 l/s

water connection

hose (gland nut)

Accent colour

none

Basic colour

chrome-look (glossy)

KWC F5L-Mix Single-lever pillar mixer

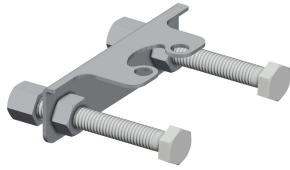
Modell-Linie: F5L | F5LM1033
Taps | Manual taps

Optional Accessories



Socket for F5L single-lever pillar mixer

2030041325
ACLM1010



Anti-twist protection

2030041324
ACLM1009



5.0 l/min aerator, angle-adjustable

2030041326
ACXX1002



Hygiene unit for F5L single-lever mixers

2030068985
ACLX1001



Hygiene unit for in-wall installation
for F5L single lever mixers

2030068987
ACLX1005

Spare Parts



Dust cap

2030010039
EAQFT0004



Mounting key

2030041329
ACXX1003