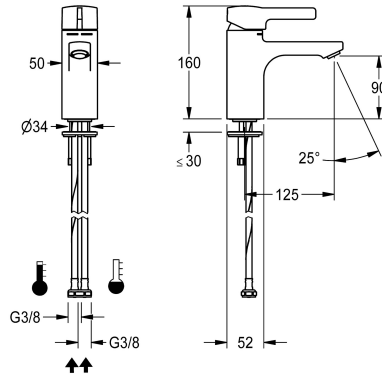


KWC F5L-Mix Single-lever pillar mixer

Modell-Linie: F5L | F5LM1034
Taps | Manual taps



KWC-No.

2030066467

F5L-Mix single-lever pillar mixer DN 15 for sanitary facilities. Mixer cartridge with ceramic disc technology and adjustable, turn-proof temperature stop. With mechanism for optional hygiene unit for automatic hygiene flushing, program-controlled thermal disinfection (additional bypass solenoid-operated flush valve cartridge

necessary) and storage of statistical data. For connection to hot water and cold water via hoses, includes strainers. All-metal construction, high-polished chrome-plated brass. Anti-theft aerator, SLIM design, with integrated flow rate controller 5.0 l/min, projection 125 mm.

Technical Data

with backflow preventer
depressurised
with filter
functional principle
hygiene flushing
diameter nominal
inlet size
Locking mechanism
material fitting
minimum flow pressure
type of mixing
overall height
overall width
Pop-up waste set
with rosettes/cover plate
sound insulation
Spout
spout projection
surface finish fitting
surface treatment fitting
temperature limit
thermal disinfection
type of mounting
type of operation
type of tap

no
no
yes
manual
prepared
DN 15
G 3/8
Top section, ceramic
brass
1 bar
yes
160 mm
50 mm
no
no
fixed
125 mm
chromed
polished
yes
yes
tap hole
manual operation
pillar tap

KWC F5L-Mix Single-lever pillar mixer

Modell-Linie: F5L | F5LM1034
Taps | Manual taps

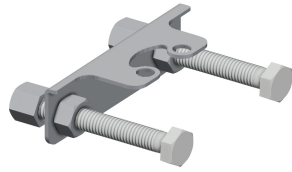
volume flow rate at 3 bar	0.08 l/s
water connection	hose (gland nut)
Accent colour	none
Basic colour	chrome-look (glossy)

Optional Accessories



Socket for F5L single-lever pillar mixer

2030041325
ACLM1010



Anti-twist protection

2030041324
ACLM1009



5.0 l/min aerator, angle-adjustable

2030041326
ACXX1002



Hygiene unit for F5L single lever mixers

2030068986
ACLX1003



Hygiene unit for in-wall installation for F5L single lever mixers

2030068988
ACLX1007

Spare Parts

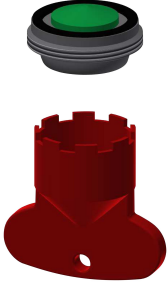


KWC F5L-Mix Single-lever pillar mixer

Modell-Linie: F5L | F5LM1034
Taps | Manual taps

Lever cap

2030041380
ASLM1001



Dust cap

2030010039
EAQFT0004



Quick-action fastener

2030010045
EAQFT0005

Hose

2030041311
ASXX1005

Aerator 5.0 l/min

2030041011
ASXX1004

Mounting key

2030041329
ACXX1003