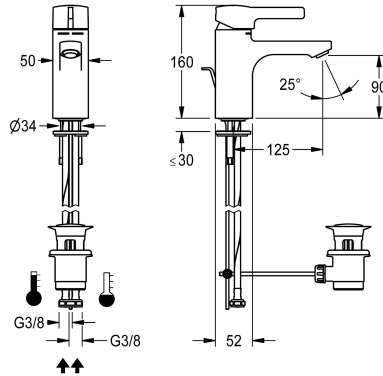


KWC F5L-Mix Single-lever pillar mixer with pop-up waste

Modell-Linie: F5L | F5LM1035
Taps | Manual taps



KWC-No.

2030066468

F5L-Mix single-lever pillar mixer DN 15 for sanitary facilities. Mixer cartridge with ceramic disc technology and adjustable, turn-proof temperature stop. For connection to hot water and cold water via hoses, includes strainers. All-metal construction, high-polished

chrome-plated brass. Anti-theft aerator, SLIM design, with integrated flow rate controller 5.0 l/min, projection 125 mm. With pop-up waste set drain fitting G 1 1/4 mm, chrome-plated.

Technical Data

with backflow preventer

no

depressurised

no

with filter

yes

functional principle

manual

hygiene flushing

no

diameter nominal

DN 15

inlet size

G 3/8

Locking mechanism

Top section, non-ceramic

material fitting

brass-look

minimum flow pressure

1 bar

Pop-up waste set

yes

with rosettes/cover plate

no

protective shutdown

no

sound insulation

no

Spout

fixed

spout projection

125 mm

surface finish fitting

chromed

surface treatment fitting

polished

temperature limit

yes

thermal disinfection

no

type of mounting

tap hole

type of operation

manual operation

type of tap

pillar tap

water connection

hose (gland nut)

Accent colour

none

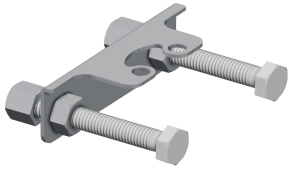
Basic colour

chrome-look (glossy)

KWC F5L-Mix Single-lever pillar mixer with pop-up waste

Modell-Linie: F5L | F5LM1035
Taps | Manual taps

Optional Accessories



Anti-twist protection

2030041324
ACLM1009

Spare Parts



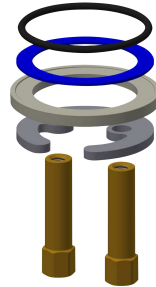
Lever cap

2030041380
ASLM1001



Dust cap

2030010039
EAQFT004



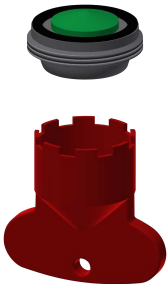
Quick-action fastener

2030010045
EAQFT005



Hose

2030041311
ASXX1005



Aerator 5.0 l/min

2030041011
ASXX1004



Pop-up waste set

2030045528
ASLM1004



Mounting key

2030041329
ACXX1003