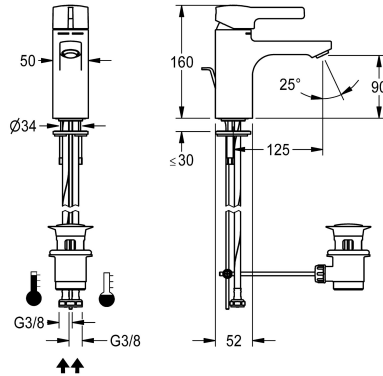


## KWC F5L-Mix Single-lever pillar mixer with pop-up waste

Modell-Linie: F5L | F5LM1035  
Taps | Manual taps



### KWC-No.

**2030066468**

F5L-Mix single-lever pillar mixer DN 15 for sanitary facilities. Mixer cartridge with ceramic disc technology and adjustable, turn-proof temperature stop. For connection to hot water and cold water via hoses, includes strainers. All-metal construction, high-polished

chrome-plated brass. Anti-theft aerator, SLIM design, with integrated flow rate controller 5.0 l/min, projection 125 mm. With pop-up waste set drain fitting G 1 1/4 mm, chrome-plated.

### Technical Data

with backflow preventer

no

depressurised

no

with filter

yes

functional principle

manual

hygiene flushing

no

diameter nominal

DN 15

inlet size

G 3/8

Locking mechanism

Top section, non-ceramic

material fitting

brass

minimum flow pressure

1 bar

Pop-up waste set

yes

with rosettes/cover plate

no

protective shutdown

no

sound insulation

no

Spout

fixed

spout projection

125 mm

surface finish fitting

chromed

surface treatment fitting

polished

temperature limit

yes

thermal disinfection

no

type of mounting

tap hole

type of operation

manual operation

type of tap

pillar tap

water connection

hose (gland nut)

Accent colour

none

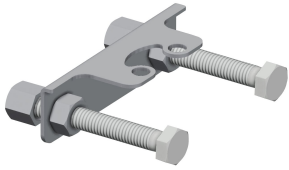
Basic colour

chrome-look (glossy)

## KWC F5L-Mix Single-lever pillar mixer with pop-up waste

Modell-Linie: F5L | F5LM1035  
Taps | Manual taps

### Optional Accessories



#### Anti-twist protection

**2030041324**  
ACLM1009

### Spare Parts



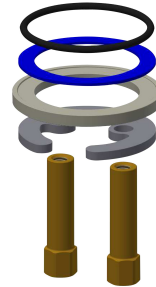
#### Lever cap

**2030041380**  
ASLM1001



#### Dust cap

**2030010039**  
EAQFT0004



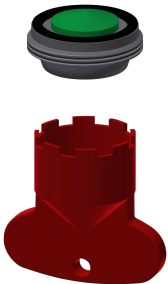
#### Quick-action fastener

**2030010045**  
EAQFT0005



#### Hose

**2030041311**  
ASXX1005



#### Aerator 5.0 l/min

**2030041011**  
ASXX1004



#### Pop-up waste set

**2030045528**  
ASLM1004



#### Mounting key

**2030041329**  
ACXX1003