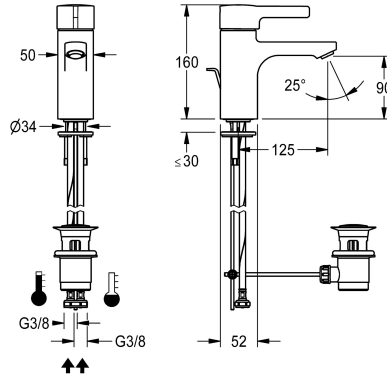


KWC F5L-Therm

Thermostatic single-lever pillar mixer with pop-up waste

Modell-Linie: F5L | F5LT1003
Taps | Manual taps



KWC-No.

2030066482

F5L-Therm thermostatic single-lever mixer as DN 15 pillar mixer for sanitary facilities. Thermostatically-controlled mixer cartridge with expansion element and active scald protection as well as adjustable and turn-proof temperature stop, and ceramic disc technology. For connection to hot water and cold water via hoses,

includes strainers. All-metal construction, high-polished chrome-plated brass. Anti-theft aerator, SLIM design, with integrated flow rate controller 5.0 l/min, projection 125 mm. With pop-up waste set drain fitting G 1 1/4 mm, chrome-plated.

Technical Data

with backflow preventer

depressurised

with filter

functional principle

hygiene flushing

diameter nominal

inlet size

Locking mechanism

material fitting

minimum flow pressure

type of mixing

Pop-up waste set

with rosettes/cover plate

protective shutdown

sound insulation

Spout

spout projection

surface finish fitting

surface treatment fitting

temperature limit

thermal disinfection

type of mounting

type of operation

type of tap

volume flow rate at 3 bar

no

no

yes

manual

no

DN 15

G 3/8

Top section, ceramic

brass-look

1 bar

with thermostat

yes

no

no

no

fixed

125 mm

chromed

polished

yes

no

tap hole

manual operation

pillar tap

0.08 l/s



KWC F5L-Therm

Thermostatic single-lever pillar mixer with pop-up waste

Modell-Linie: F5L | F5LT1003

Taps | Manual taps

water connection

hose (gland nut)

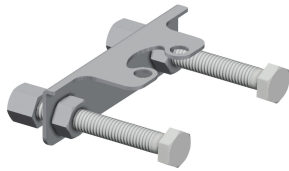
Accent colour

none

Basic colour

chrome-lock (glossy)

Optional Accessories



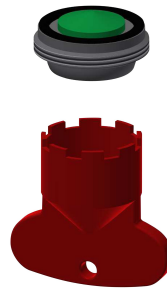
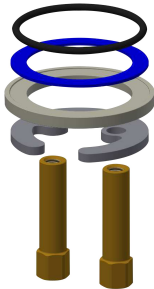
Anti-twist protection

5.0 l/min aerator, angle-adjustable

2030041324
ACLM1009

2030041326
ACXX1002

Spare Parts



Quick-action fastener

Hose

Aerator 5.0 l/min

Mounting key

2030010045
EAQFT0005

2030041311
ASXX1005

2030041011
ASXX1004

2030041329
ACXX1003



Pop-up waste set



KWC F5L-Therm

Thermostatic single-lever pillar mixer with pop-up waste

Modell-Linie: F5L | F5LT1003

Taps | Manual taps

2030045528

ASLM1004
