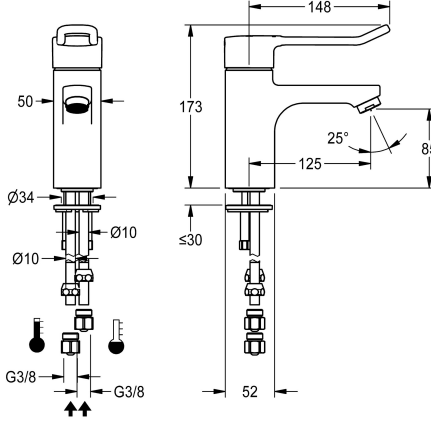


KWC F5L-Therm

Thermostatic single-lever pillar mixer, barrier-free

Modell-Linie: F5L | F5LT1011

Taps | Manual taps



KWC-No.

2030066301

2030066489

With connection pipes

water connection

hose (gland nut)

pipe

F5L-Therm thermostatic single-lever mixer as DN 15 pillar mixer for accessible sanitary facilities, lever length 150 mm. Thermostatically-controlled mixer cartridge with expansion element and active scald protection as well as adjustable and turn-proof temperature stop, and ceramic disc technology. With mechanism for optional hygiene unit for automatic hygiene flushing and program-controlled thermal disinfection and storage of statistical

data. Lever cap in ergonomic bracket design, with slight curvature in the front and basalt-grey coating, in line with two-senses principle (tactile and visual). For connection to hot water and cold water via pipes, includes strainers. All-metal construction, high-polished chrome-plated brass. Laminar jet regulator with integrated flow rate

Technical Data

with backflow preventer

calculation flow rate cold water

calculation flow rate hot water

depressurised

with filter

functional principle

hygiene flushing

diameter nominal

inlet size

Locking mechanism

material fitting

minimum flow pressure

type of mixing

Pop-up waste set

with rosettes/cover plate

protective shutdown

sound insulation

Spout

spout projection

surface finish fitting

surface treatment fitting

temperature limit

no

0.07 l/s

0.07 l/s

no

yes

manual

prepared

DN 15

DN 10

Top section, ceramic

brass

1 bar

with thermostat

no

no

no

no

fixed

125 mm

chromed

polished

yes



KWC F5L-Therm

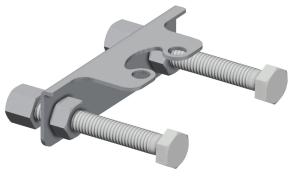
Thermostatic single-lever pillar mixer, barrier-free

Modell-Linie: F5L | F5LT1011

Taps | Manual taps

thermal disinfection	yes
type of mounting	tap hole
type of operation	manual operation
type of tap	pillar tap
volume flow rate at 3 bar	0.1 l/s
water connection	pipe
Accent colour	none
Basic colour	chrome-look (glossy)

Optional Accessories



Anti-twist protection

2030041324
ACLM1009



Hygiene unit for F5L single lever mixers

2030068986
ACLX1003



Hygiene unit for in-wall installation for F5L single lever mixers

2030068988
ACLX1007