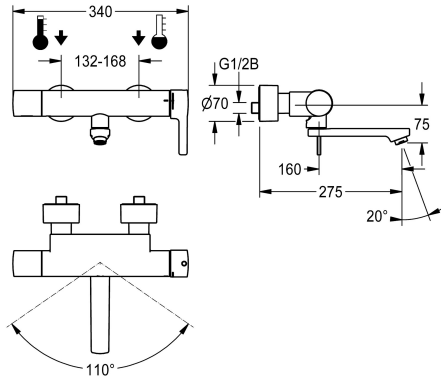


KWC F5L-Therm Thermostatic single-lever wall-mounted mixer

Modell-Linie: F5L | F5LT1014
Taps | Manual taps



KWC-No.

2030066491
Projection 215 mm

2030066490
Projection 155 mm

2030066492
Projection 275 mm

spout projection

100 mm

40 mm

160 mm

F5L-Therm thermostatic single-lever mixer as DN 15 wall-mounted mixer for wall mounting with lockable swivelling spout, for sanitary facilities. Thermostatically-controlled mixer cartridge with expansion element and active scald protection as well as adjustable and turn-proof temperature stop, and ceramic disc technology. With pre-assembled hygiene unit including 6 V lithium battery (CR P2) for automatic hygiene flushing and program-controlled thermal disinfection (additional bypass solenoid-operated flush valve cartridge necessary) and storage of statistical

data. For connection to hot and cold water. Scald-protection, safe-touch housing, all-metal construction, high-polished chrome-plated brass. Laminar jet controller with integrated flow rate controller 6.0 l/min. With adjustable and lockable connections with backflow preventers and strainers, fully covered by depth-adjustable screw rosettes. Projection 275 mm. Activated hygiene flushing, fixed interval of 24 hours. With option for parameterization and communication via optional, bidirectional remote control.

Technical Data

with backflow preventer

yes

calculation flow rate cold wat

0.07 l/s

calculation flow rate hot wate

0.07 l/s

default automatic hygiene flus

fixed interval 24 hours

depressurised

no

with filter

yes

adjustable flow time

no

functional principle

manual

hygiene flushing

yes

diameter nominal

DN 15

inlet size

G 1/2 B

Locking mechanism

Top section, ceramic

material fitting

brass

minimum flow pressure

1 bar

type of mixing

with thermostat

number of batteries

1

overall depth

275 mm

overall width

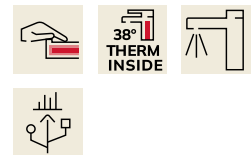
340 mm

Parameterization

remote control

Pop-up waste set

no



KWC F5L-Therm

Thermostatic single-lever wall-mounted mixer

Modell-Linie: F5L | F5LT1014

Taps | Manual taps

power supply connection	Battery 6 V
power consumption	1.5 Voltampere
Type of power supply	Battery
protective system IP	IP59K
with rosettes/cover plate	yes
protective shutdown	no
sound insulation	no
Spout	rotating, bottom
spout projection	160 mm
surface finish casing	chromed
surface finish fitting	chromed
surface treatment fitting	polished
temperature limit	yes
thermal disinfection	yes
with transformer/power supply	no
type of batteries	CR-P2 Lithium battery 6V
type of mounting	wall mounting
type of operation	manual operation
type of sensor	opto-electronic sensor
type of tap	bib tap
Volume flow rate hygiene flush	0.05 l/s
volume flow rate at 3 bar	0.1 l/s
water connection	S-connections
Accent colour	none
Basic colour	chrome-look (glossy)

Optional Accessories



Bidirectional remote control for electrical fittings F3 and F5

2030036654
ACEX9005



2-button remote control for fittings F3 and F5

2030036849
ACEX9004



Solenoid valve cartridge

2030045522
ACXX9002



Theft-proof housing for aerator

2000104778
ZTAPS0005

Spare Parts

KWC F5L-Therm

Thermostatic single-lever wall-mounted mixer

Modell-Linie: F5L | F5LT1014

Taps | Manual taps



Swivel spout, 160 mm

2030032815
ASXX1002



Laminar jet regulator

2030012352
ETAPS0037



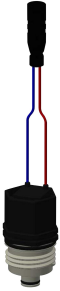
Mounting set

2030003401
EAQLT0009



Screw rosette

2030046777
ASXX9003



Solenoid valve cartridge

2030045522
ACXX9002



Lithium battery 6 V

2000104846
EPRTR0008



Sensor, ID 81/00001

2030041485
ASLM9001



F5 Foil

2030053034
ASET2010