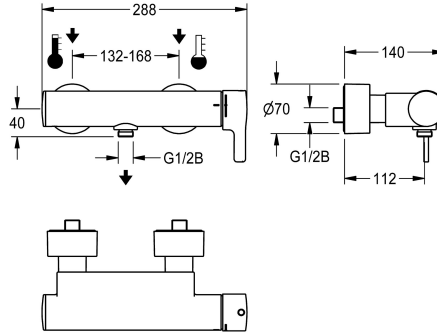


## KWC F5L-Therm

Thermostatic single-lever wall-mounted mixer with hand shower connection

Modell-Linie: F5L | F5LT2003  
Showers | Manual shower



### KWC-No.

2030066497

F5L-Therm thermostatic single-lever mixer as DN 15 wall-mounted mixer for wall mounting, for shower facilities. Thermostatically-controlled mixer cartridge with expansion element and active scald protection as well as adjustable and turn-proof temperature stop, and ceramic disc technology. With mechanism for optional hygiene unit for automatic hygiene flushing, program-controlled thermal disinfection (additional bypass solenoid-operated flush valve

cartridge necessary) and storage of statistical data. For connection to hot and cold water. Scald-protection, Safe-Touch housing with hand shower connection, G 1/2 B. All-metal construction, high-polished chrome-plated brass. With adjustable and lockable connections with backflow preventers and strainers, fully covered by depth-adjustable screw rosettes.

### Technical Data

|                                |
|--------------------------------|
| additional connections         |
| with backflow preventer        |
| circulation                    |
| connection with pay water disp |
| with filter                    |
| functional principle           |
| for hand shower                |
| hygiene flushing               |
| diameter nominal               |
| inlet size                     |
| Locking mechanism              |
| material casing                |
| material fitting               |
| minimum flow pressure          |
| type of mixing                 |
| with rosettes/cover plate      |
| protective shutdown            |
| shower pipe draining           |
| sound insulation               |
| surface finish casing          |
| surface finish fitting         |
| surface treatment fitting      |
| temperature limit              |
| thermal disinfection           |

|                      |
|----------------------|
| no                   |
| yes                  |
| no                   |
| not possible         |
| yes                  |
| manual               |
| yes                  |
| prepared             |
| DN 15                |
| G 1/2 B              |
| Top section, ceramic |
| brass-look           |
| brass-look           |
| 1 bar                |
| with thermostat      |
| yes                  |
| no                   |
| no                   |
| no                   |
| chromed              |
| chromed              |
| polished             |
| yes                  |
| yes                  |



## KWC F5L-Therm

Thermostatic single-lever wall-mounted mixer with hand shower connection

Modell-Linie: F5L | F5LT2003

Showers | Manual shower

|                              |                      |
|------------------------------|----------------------|
| type of mounting             | wall mounting        |
| type of operation            | manual operation     |
| type of shower               | wall fitting         |
| volume flow rate at 3 bar    | 0.25 l/s             |
| water connection             | S-connections        |
| position of water connection | from backside        |
| Accent colour                | none                 |
| Basic colour                 | chrome-look (glossy) |

### Optional Accessories



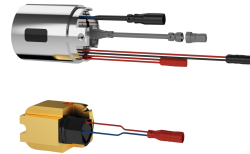
Hand shower

**2030051216**  
ACXX2007



Shower bracket

**2030051217**  
ACXX2008



Hygiene unit for F5L single-lever wall mixers

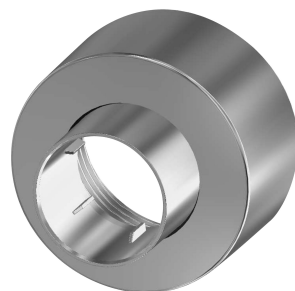
**2030039446**  
ACLM9001

### Spare Parts



Mounting set

**2030003401**  
EAQLT0009



Screw rosette

**2030046777**  
ASXX9003