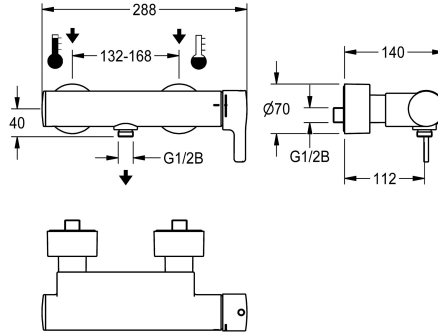


KWC F5L-Therm

Thermostatic single-lever wall-mounted mixer with hand shower connection

Modell-Linie: F5L | F5LT2003
Showers | Manual shower



KWC-No.

2030066497

F5L-Therm thermostatic single-lever mixer as DN 15 wall-mounted mixer for wall mounting, for shower facilities. Thermostatically-controlled mixer cartridge with expansion element and active scald protection as well as adjustable and turn-proof temperature stop, and ceramic disc technology. With mechanism for optional hygiene flushing, program-controlled thermal disinfection (additional bypass solenoid-operated flush valve

cartridge necessary) and storage of statistical data. For connection to hot and cold water. Scald-protection, Safe-Touch housing with hand shower connection, G 1/2 B. All-metal construction, high-polished chrome-plated brass. With adjustable and lockable connections with backflow preventers and strainers, fully covered by depth-adjustable screw rosettes.

Technical Data

additional connections	no
with backflow preventer	yes
circulation	no
connection with pay water disp	not possible
with filter	yes
functional principle	manual
for hand shower	yes
hygiene flushing	prepared
diameter nominal	DN 15
inlet size	G 1/2 B
Locking mechanism	Top section, ceramic
material casing	brass
material fitting	brass
minimum flow pressure	1 bar
type of mixing	with thermostat
with rosettes/cover plate	yes
protective shutdown	no
shower pipe draining	no
sound insulation	no
surface finish casing	chromed
surface finish fitting	chromed
surface treatment fitting	polished
temperature limit	yes
thermal disinfection	yes



KWC F5L-Therm

Thermostatic single-lever wall-mounted mixer with hand shower connection

Modell-Linie: F5L | F5LT2003

Showers | Manual shower

type of mounting	wall mounting
type of operation	manual operation
type of shower	wall fitting
volume flow rate at 3 bar	0.25 l/s
water connection	S-connections
position of water connection	from backside
Accent colour	none
Basic colour	chrome-look (glossy)

Optional Accessories



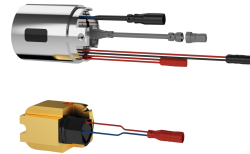
Hand shower

2030051216
ACXX2007



Shower bracket

2030051217
ACXX2008



Hygiene unit for F5L single-lever wall mixers

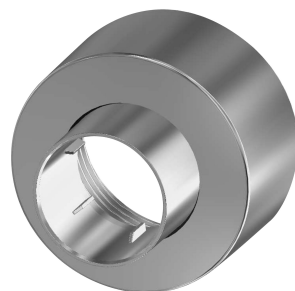
2030039446
ACLM9001

Spare Parts



Mounting set

2030003401
EAQLT0009



Screw rosette

2030046777
ASXX9003