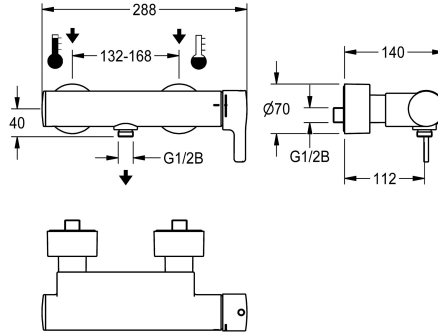


## KWC F5L-Therm

Thermostatic single-lever wall-mounted mixer with hand shower connection

Modell-Linie: F5L | F5LT2003  
Showers | Manual shower



### KWC-No.

**2030066497**

F5L-Therm thermostatic single-lever mixer as DN 15 wall-mounted mixer for wall mounting, for shower facilities. Thermostatically-controlled mixer cartridge with expansion element and active scald protection as well as adjustable and turn-proof temperature stop, and ceramic disc technology. With mechanism for optional hygiene unit for automatic hygiene flushing, program-controlled thermal disinfection (additional bypass solenoid-operated flush valve

cartridge necessary) and storage of statistical data. For connection to hot and cold water. Scald-protection, Safe-Touch housing with hand shower connection, G 1/2 B. All-metal construction, high-polished chrome-plated brass. With adjustable and lockable connections with backflow preventers and strainers, fully covered by depth-adjustable screw rosettes.

### Technical Data

additional connections
with backflow preventer
circulation
connection with pay water disp
with filter
functional principle
for hand shower
hygiene flushing
diameter nominal
inlet size
Locking mechanism
material casing
material fitting
minimum flow pressure
type of mixing
with rosettes/cover plate
protective shutdown
shower pipe draining
sound insulation
surface finish casing
surface finish fitting
surface treatment fitting
temperature limit
thermal disinfection

no
yes
no
not possible
yes
manual
yes
prepared
DN 15
G 1/2 B
Top section, ceramic
brass
brass
1 bar
with thermostat
yes
no
no
no
chromed
chromed
polished
yes
yes



## KWC F5L-Therm

Thermostatic single-lever wall-mounted mixer with hand shower connection

**Modell-Linie: F5L | F5LT2003**

Showers | Manual shower

type of mounting	wall mounting
type of operation	manual operation
type of shower	wall fitting
volume flow rate at 3 bar	0.25 l/s
water connection	S-connections
position of water connection	from backside
Accent colour	none
Basic colour	chrome-look (glossy)

### Optional Accessories



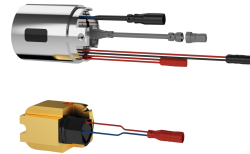
**Hand shower**

**2030051216**  
ACXX2007



**Shower bracket**

**2030051217**  
ACXX2008



**Hygiene unit for F5L single-lever wall mixers**

**2030039446**  
ACLM9001