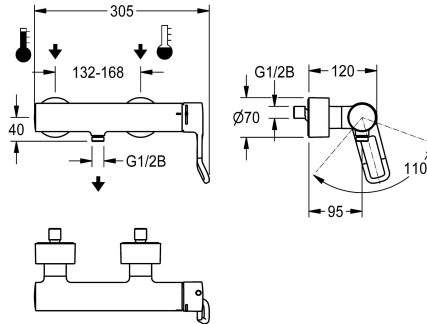


## KWC F4LT-Med

Thermostatic single-lever wall-mounted mixer with hand shower connection

Modell-Linie: F4 | F4LT2003  
Showers | Manual shower



### KWC-No.

**2030066757**

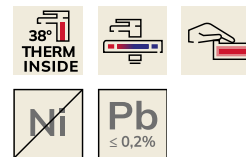
F4LT-Med thermostatic single lever mixer as DN 15 wall-mounted mixer for wall mounting, for shower facilities in the healthcare and nursing sectors, with 118 mm lever. Thermostat-controlled mixer cartridge with expansion element and active scald protection, fail-safe against backflow as well as adjustable and turn-proof temperature stop, and ceramic disc technology. Without additional backflow preventer for optimised drinking water hygiene. Lever cap with an ergonomic bracket design and slight curvature in the front with basalt-grey coating, in line with two-senses principle (tactile

and visual). For connection to hot and cold water. Tap optimised for cleaning, scald-protected, safe-touch housing with hand shower connection, G 1/2 B. All-metal construction, polished chromium-plated brass. Decoupled from the tap housing, volume-reduced, smooth water flow from low-lead brass (lead proportion  $\leq 0,2\%$ ), and without nickel coating. With thermal insulation components to reduce heat transfer from the tap housing to the cold-water line. With adjustable and lockable connections with strainers, fully covered by depth-adjustable screw rosettes.

### Technical Data

additional connections
circulation
compatible A3000 open
connection with pay water disp
functional principle
for hand shower
diameter nominal
inlet size
Locking mechanism
material fitting
type of mixing
shower pipe draining
surface finish fitting
surface treatment fitting
temperature limit
type of mounting
type of operation
type of shower
volume flow rate at 3 bar
water connection
position of water connection
Accent colour
Basic colour

no
no
no
not possible
manual
yes
DN 15
G 1/2 B
Top section, ceramic
brass
with thermostat
no
chromed
polished
yes
wall mounting
manual operation
wall fitting
0,22 l/s
S-connections
from backside
none
chrome-look (glossy)



## KWC F4LT-Med

Thermostatic single-lever wall-mounted mixer with hand shower connection

Modell-Linie: F4 | F4LT2003

Showers | Manual shower

### Optional Accessories



Hand shower

**2030051216**  
ACXX2007



Shower bracket

**2030051217**  
ACXX2008



Drain valve for automatic shower hose drainage

**2030068123**  
ACXX2009

### Spare Parts



Screw rosette

**2030046777**  
ASXX9003