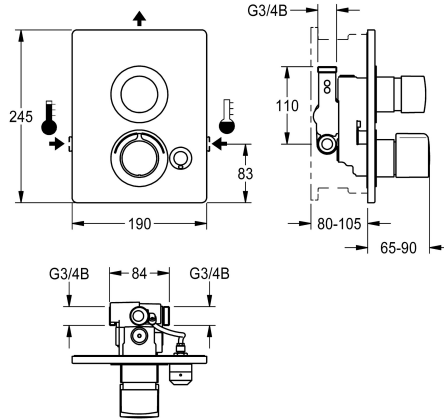


## KWC F5S-Therm Self-closing thermostatic mixer

Modell-Linie: F5S | F5ST2039  
Showers | Self closing showers



### KWC-No.

**2030067154**

**2030067163**  
With automatic shower pipe emptying

**2030067158**  
Version without option for automatic water hygiene flushing or thermal disinfection

**2030067167**  
with automatic shower pipe draining

### shower pipe draining

no

yes

no

yes

### thermal disinfection

yes

yes

no

no

F5S-Therm self-closing thermostatic mixer DN 15 as finished installation kit for installation in basic installation kit, for shower facilities. Hydraulically controlled, connects to hot and cold water. Function block with integrated FRAMIC self-closing cartridge and thermostat. FRAMIC self-closing cartridge, hydraulically controlled, low-maintenance and stagnation-free, with ceramic disc technology, self-closing, flow pressure-independent due to medium-separated design. Stepless adjustment of flow duration.

Thermostat with metal handle with adjustable and turn-proof temperature stop and option for manual thermal disinfection. All-metal construction, visible parts high-polished, chromium-plated. Holding frame including profile seal, stainless steel cover plate 190 x 245 mm with covered screw fixing, chromium-plated plastic rosettes, backflow preventer and strainers. Depth adjustability 25 mm. Version with automatic shower pipe draining.

### Technical Data

additional connections

no

with backflow preventer

yes

Built-in fitting model

Finishing section

calculation flow rate cold wat

0.15 l/s

calculation flow rate hot wate

0.15 l/s

circulation

no

compatible A3000 open

no

connection with pay water disp

not possible

with filter

yes

adjustable flow time

yes

functional principle

hydraulic self-closing

for hand shower

no

hygiene flushing

no

diameter nominal

DN 15

inlet size

G 3/4 B

Locking mechanism

Top section, ceramic

material casing

stainless steel

material fitting

brass



## KWC F5S-Therm Self-closing thermostatic mixer

**Modell-Linie: F5S | F5ST2039**  
Showers | Self closing showers

maximum flow time	35 Seconds
minimum flow pressure	1 bar
minimum flow time	5 Seconds
type of mixing	with thermostat
with rosettes/cover plate	yes
protective shutdown	no
shower pipe draining	yes
sound insulation	no
surface finish casing	satin finished
surface finish fitting	chromed
surface treatment fitting	polished
temperature limit	yes
thermal disinfection	no
type of mounting	in-wall installation with box
type of operation	manual operation
type of shower	in-wall fitting
volume flow rate at 3 bar	0.2 l/s
water connection	threaded connection (external)
position of water connection	from side
Accent colour	chrome-look (glossy)
Basic colour	stainless steel

### Mandatory Accessories



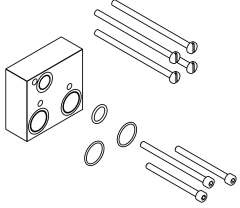
#### R5 System box for in-wall mixer

**2030028990**  
F5BX2001

### Optional Accessories

## KWC F5S-Therm Self-closing thermostatic mixer

Modell-Linie: F5S | F5ST2039  
Showers | Self closing showers



### Extension set

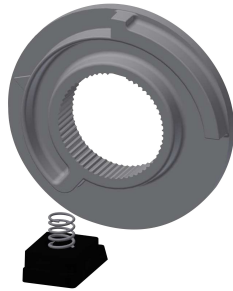
**2030067889**  
ACXT9001

### Spare Parts



### Temperature handle

**2030047082**  
ASXT9003



### Temperature stop

**2030003296**  
EAQLT0003



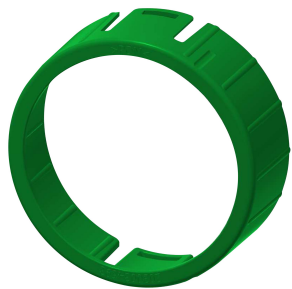
### Plug chromed

**2030053006**  
ASSX9004



### Push cap

**2030049943**  
ASST2001



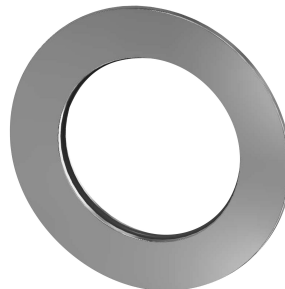
### Guide ring

**2030048356**  
ASSX9002



### Safety ring

**2030048357**  
ASSX9003



### Rosette

**2030048765**  
ASET2006



### FRAMIC Self-closing cartridge

**2030046145**  
ASSX9001

## KWC F5S-Therm Self-closing thermostatic mixer

Modell-Linie: F5S | F5ST2039  
Showers | Self closing showers



### Stainless steel care set

**2000109019**  
ZWSPL0024



### Cleaning product CHROMOL

**2000105091**  
ZWSPL0023