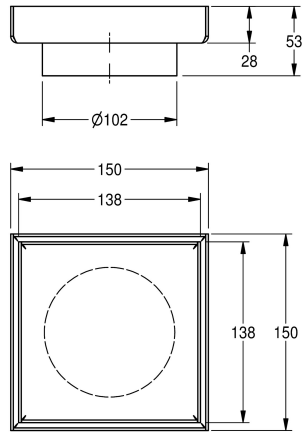
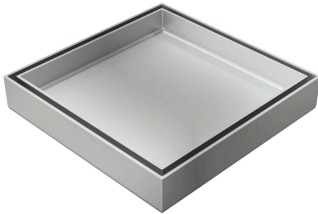


KWC
Square tile insert drain

Modell-Linie: **ACCESSOIRES | SD1504 | 2030067626 | EAN/GTIN: 7612210399787**
Drain and Shower channel | Drain and Shower channel



Article Number

2030067624
Dimensions 130 x 53 x 130 mm (W x H x D)

2030067626
Dimensions 150 x 53 x 150 mm (W x H x D)

2030067627
Dimensions 200 x 53 x 200 mm (W x H x D)

overall depth

130 mm

150 mm

200 mm

Square tile insert drain 150mmSQ made of stainless steel 304L (EN 1.4307), surface satin finished, material thickness of 2.0mm, with 102mmØ (4") outlet.

Dimensions 150 x 53 x 150 mm (W x H x D)

Technical Data

material thickness	2 mm
material	stainless steel
material code	1.4301 Chrome Nickel steel V2A
overall depth	150 mm
overall height	53 mm
overall width	150 mm
surface finish	satin finished
drain outlet	4"
type of drain	tile insert
odor eliminator	no