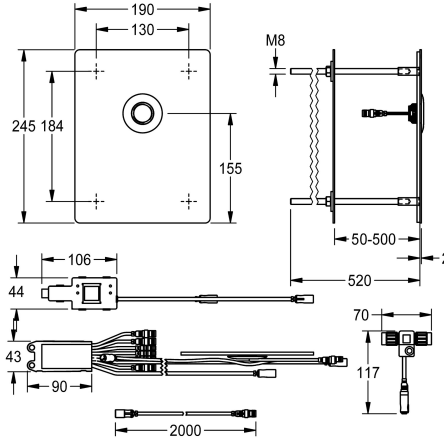


KWC F5E - A3000 open Electronic WC control unit for concealed cisterns

Modell-Linie: F5E | F5EF4003
Flushing systems | Electronic WC flushing systems



KWC-No.

2030068176

NEW

F5E - A3000 open WC control unit for cistern for concealed mounting, electronically controlled. Especially suitable for facilities at risk of vandalism. With waterproof electronic module with additional input for sensors to be provided by the client, maximum distance to electronic module 5 m, servomotor unit, two waterproof electric T-junctions for connection to system cable, stainless steel cover plate

190 x 245 x 2 mm for invisible mounting via threaded rods, up to a wall thickness of 50 to 500 mm, including piezo push-button and 2 m extension cable. Connection and maintenance via service room. Activated hygiene flushing 24 hours after the last activity. With facility for parameterization, cleaning deactivation and communication via ECC2 function controller, 24 V DC.

Technical Data

default automatic hygiene flus
functional principle
diameter nominal
material casing
material code casing
material fitting
power supply connection
surface finish casing
type of flushing fitting
type of mounting
type of operation
type of sensor
Basic colour

24h after the last activity
electronic self-closing
DN 20
stainless steel
1.4301 Chrome Nickel steel V2A
brass-look
A3000 open 24 VDC
satın finished
WC flush valve
bolt fix with duct wall
sensor operation
piezo-electronic sensor
stainless steel-look



Mandatory Accessories

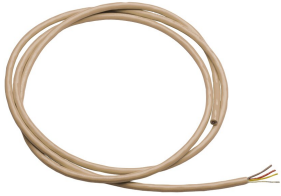


KWC F5E - A3000 open Electronic WC control unit for concealed cisterns

Modell-Linie: F5E | F5EF4003
Flushing systems | Electronic WC flushing systems

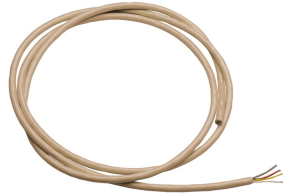
ECC2 function controller

2000108123
ZA3OP0011



ECC2 function controller

2030016282
ZA3OP0022



System cable

2000100801
ZAQUA077

System cable

2000100852
ZAQUA078

System cable

2000104274
ZAQUA012

System cable

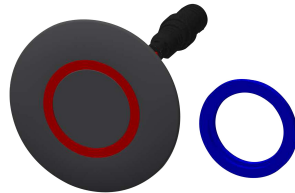
2000104272
ZAQUA011

Spare Parts



Electrical T junction

2000100853
ZAQUA075



Piezo Switch

2000104441
EAT3O0001



Holder for motor

2030035933
EA3OP0049



Stainless steel care set

2000109019
ZWSP0024



Cleaning product CHROMOL

2000105091



KWC F5E - A3000 open
Electronic WC control unit for concealed cisterns

Modell-Linie: F5E | F5EF4003
Flushing systems | Electronic WC flushing systems

ZWSPL0023
