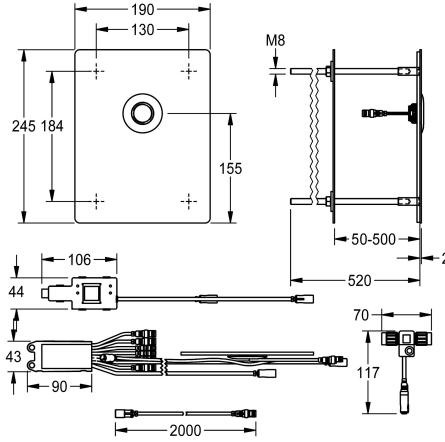


## KWC F5E - A3000 open Electronic WC control unit for concealed cisterns

Modell-Linie: F5E | F5EF4003  
Flushing systems | Electronic WC flushing systems



### KWC-No.

**2030068176**

F5E - A3000 open WC control unit for cistern for concealed mounting, electronically controlled. Especially suitable for facilities at risk of vandalism. With waterproof electronic module with additional input for sensors to be provided by the client, maximum distance to electronic module 5 m, servomotor unit, two waterproof electric T-junctions for connection to system cable, stainless steel cover plate

190 x 245 x 2 mm for invisible mounting via threaded rods, up to a wall thickness of 50 to 500 mm, including piezo push-button and 2 m extension cable. Connection and maintenance via service room. Activated hygiene flushing 24 hours after the last activity. With facility for parameterization, cleaning deactivation and communication via ECC2 function controller, 24 V DC.

### Technical Data

default automatic hygiene flus

functional principle

diameter nominal

material casing

material code casing

material fitting

power supply connection

surface finish casing

type of flushing fitting

type of mounting

type of operation

type of sensor

Basic colour

24h after the last activity

electronic self-closing

DN 20

stainless steel

1.4301 Chrome Nickel steel V2A

brass-look

A3000 open 24 V DC

satin finished

WC flush valve

bolt fix with duct wall

sensor operation

piezo-electronic sensor

stainless steel-look



### Mandatory Accessories

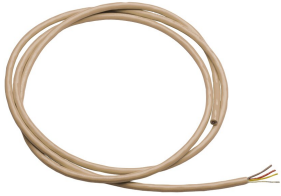


## KWC F5E - A3000 open Electronic WC control unit for concealed cisterns

Modell-Linie: F5E | F5EF4003  
Flushing systems | Electronic WC flushing systems

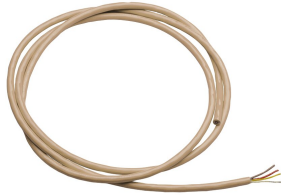
### ECC2 function controller

**2000108123**  
ZA3OP0011



### ECC2 function controller

**2030016282**  
ZA3OP0022



### System cable

**2000100801**  
ZAQUA077

### System cable

**2000100852**  
ZAQUA078

### System cable

**2000104274**  
ZAQUA012

### System cable

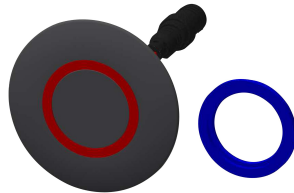
**2000104272**  
ZAQUA011

## Spare Parts



### Electrical T junction

**2000100853**  
ZAQUA075



### Piezo Switch

**2000104441**  
EAT3O0001



### Holder for motor

**2030035933**  
EA3OP0049



### Stainless steel care set

**2000109019**  
ZWSP0024



### Cleaning product CHROMOL

**2000105091**



**KWC** F5E - A3000 open  
Electronic WC control unit for concealed cisterns

**Modell-Linie: F5E | F5EF4003**  
Flushing systems | Electronic WC flushing systems

ZWSPL0023

---