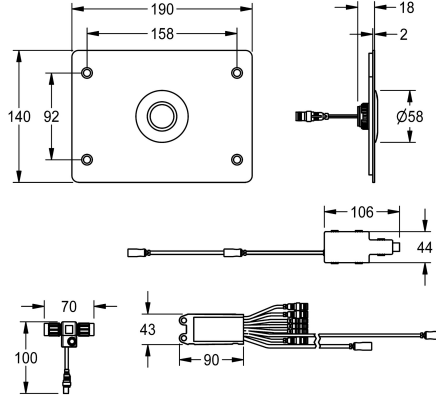


KWC F5E - A3000 open Electronic WC control unit for concealed cisterns

Modell-Linie: F5E | F5EF4006
Flushing systems | Electronic WC flushing systems



KWC-No.

2030068182

NEW

F5E - A3000 open WC control unit for concealed cistern, electronically controlled. Especially suitable for facilities at risk of vandalism. With waterproof electronic module with additional input for sensors to be provided by the client, maximum distance to electronic module 5 m, servomotor unit, two waterproof electric T-junctions for connection to system cable, stainless steel cover plate

190x 140 x 2 mm, mounting from front with safety screws, including piezo push-button. Activated hygiene flushing 24 hours after the last activity. With facility for parameterization, cleaning deactivation and communication via ECC2 function controller, 24 V DC.

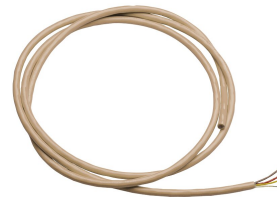
Technical Data

functional principle
material casing
material code casing
surface finish
surface finish casing
type of flushing fitting

electronic self-closing
stainless steel
1.4301 Chrome Nickel steel V2A
satın finished
brushed
for WC cistern



Mandatory Accessories



ECC2 function controller

2000108123
ZA3OP0011

ECC2 function controller

2030016282
ZA3OP0022

System cable

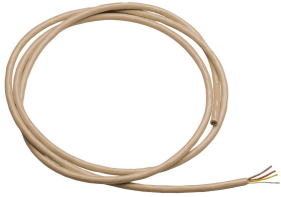
2000100801
ZAQUA077

System cable

2000100852
ZAQUA078

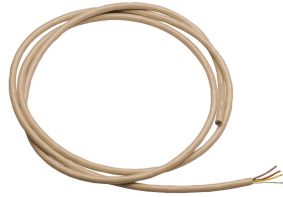
KWC F5E - A3000 open Electronic WC control unit for concealed cisterns

Modell-Linie: F5E | F5EF4006
Flushing systems | Electronic WC flushing systems



System cable

2000104274
ZAQUA012



System cable

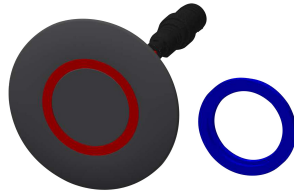
2000104272
ZAQUA011

Spare Parts



Electrical T junction

2000100853
ZAQUA075



Piezo Switch

2000104441
EAT300001



Holder for motor

2030035933
EA30P0049



Stainless steel care set

2000109019
ZWSP0024



Cleaning product CHROMOL

2000105091
ZWSP0023