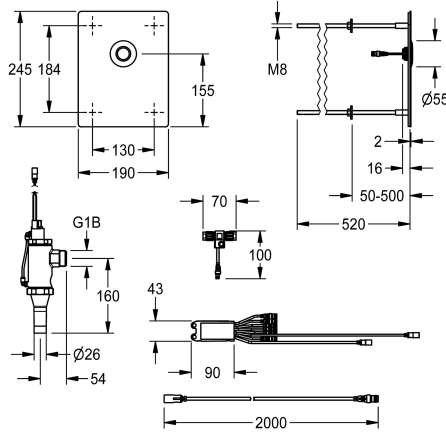


KWC F5E - A3000 open Electronic WC flush valve for rear panel mounting

Modell-Linie: F5E | F5EF4004
Flushing systems | Electronic WC flushing systems



KWC-No.

2030068198

NEW

F5E - A3000 open WC flush valve for concealed mounting, electronically controlled. Especially suitable for facilities at risk of vandalism. With waterproof electronic module with additional input for sensors to be provided by the client, maximum distance to the electronic module 5 m, solenoid flush valve including enclosed throttle insert for reducing flush volume, waterproof electrical T-junction for connection to system cable, stainless steel cover plate

190 x 245 x 2 mm for invisible mounting via threaded rods, up to a wall thickness of 50 to 500 mm, including piezo push-button and 2 m extension cable. Activated hygiene flushing 24 hours after the last activity. With facility for parameterization, cleaning deactivation and communication via ECC2 function controller, 24 V DC.

Technical Data

Cover plate height	245 mm
Cover plate width	190 mm
default automatic hygiene flush	24h after the last activity
Flushing volume adjustable	yes
functional principle	electronic self-closing
hygiene flushing	yes
diameter nominal	DN 20
material casing	stainless steel
material code casing	1.4301 Chrome Nickel steel V2A
material fitting	brass-look
maximum flow pressure	4 bar
maximum flushing flow	1 l/s
maximum flush water volume	9 Liter
minimum flow pressure	1.2 bar
Parameterization	network
power supply connection	A3000 open 24 V DC
power consumption	2.5 Voltampere
Type of power supply	Transformer
protective system IP	IP59K
protective shutdown	yes
sound insulation	no
surface finish casing	satin finished
with transformer/power supply	no
type of flushing fitting	WC flush valve



KWC F5E - A3000 open Electronic WC flush valve for rear panel mounting

Modell-Linie: F5E | F5EF4004
Flushing systems | Electronic WC flushing systems

type of mounting	concealed
type of operation	sensor operation
type of sensor	piezo-electronic sensor
Basic colour	stainless steel-look

Mandatory Accessories



ECC2 function controller

2000108123
ZA3OP0011



ECC2 function controller

2030016282
ZA3OP0022



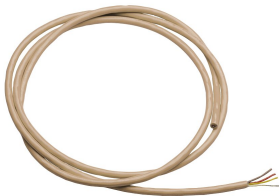
System cable

2000100801
ZAQUA077



System cable

2000100852
ZAQUA078



System cable

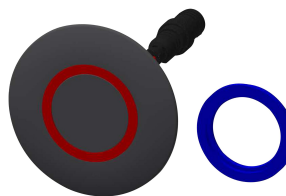
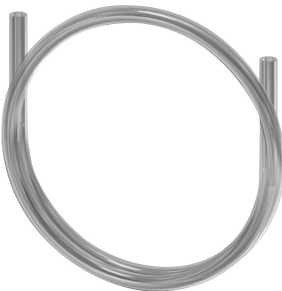
2000104274
ZAQUA012



System cable

2000104272
ZAQUA011

Spare Parts



KWC F5E - A3000 open Electronic WC flush valve for rear panel mounting

Modell-Linie: F5E | F5EF4004
Flushing systems | Electronic WC flushing systems

Remote operation hose

2000104803
EAQLN0019

Electrical T junction

2000100853
ZAQUA075

Piezo Switch

2000104441
EAT3O0001

Stainless steel care set

2000109019
ZWSPL0024



Cleaning product CHROMOL

2000105091
ZWSPL0023
