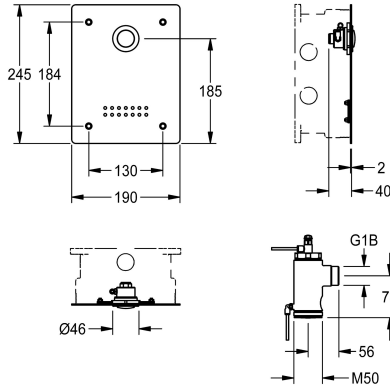


KWC F3S

WC flush valve for in-wall installation

Modell-Linie: F3S | F3SF4002

Flushing systems | Self closing wc flushing system



KWC-No.

2030068201

F3S WC flush valve, especially suitable for facilities at risk of vandalism

F3S WC flush valve DN 20 as a finished installation kit for in-wall installation in the basic installation kit, for wall-mounted toilet bowls, fitting group 1. Especially suitable for facilities at risk of vandalism. Self-closing upper component hydraulically controlled, piston-free design, automatic and backlash-free closing. Automatic flush flow

regulation and adjustable flush water volume. All-metal construction, visible parts polished chromium-plated. Stainless steel cover plate 190 x 245 x 2 mm, mounting from the front with safety screws, pre-mounted push-button actuation. Hydraulic control lines and mounting material. Depth adjustability 20 mm.

NEW

Technical Data

Built-in fitting model
calculation flow rate cold wat
Cover plate height
Cover plate width
Flushing volume adjustable
functional principle
diameter nominal
material casing
material code casing
material fitting
maximum flow pressure
maximum flushing flow
minimum flow pressure
minimum flushing flow
Parameterization
protective shutdown
sound insulation
surface finish casing
surface finish fitting
type of flushing fitting
type of mounting
type of operation
water connection
Basic colour

Finishing section
1 l/s
245 mm
190 mm
yes
hydraulic self-closing
DN 20
stainless steel
1.4301 Chrome Nickel steel V2A
brass-look
4 bar
1.3 l/s
1.2 bar
1 l/s
manual
no
I-
satin finished
raw
WC flush valve
in-wall installation with box
manual operation
threaded connection (external)
stainless steel-look



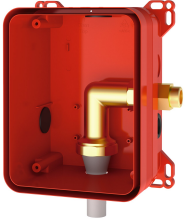
KWC F3S

WC flush valve for in-wall installation

Modell-Linie: F3S | F3SF4002

Flushing systems | Self closing wc flushing system

Mandatory Accessories



R3 system box for WC flush valve

2030068205
F3BF4001



AQUAFIX installation frame with WC flush valve for in-wall installation

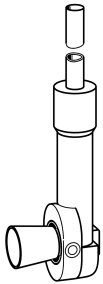
3600005980
AQFX0012



AQUAFIX installation frame for barrier-free WC systems, with WC flush valve for in-wall installation

3600005981
AQFX0013

Optional Accessories



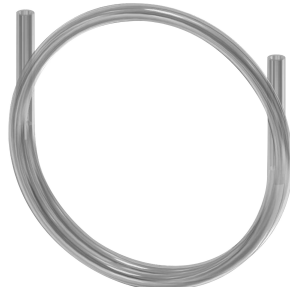
Flushing pipe for in-wall installation

2000101466
AQRM920

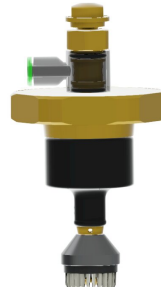
Spare Parts



Remote operation valve



Remote operation hose



Upper part



Stainless steel care set

KWC F3S

WC flush valve for in-wall installation

Modell-Linie: F3S | F3SF4002

Flushing systems | Self closing wc flushing system

2000104780
EFLSY0027

2000104803
EAQLN0019

2000104384
EFLSY0004

2000109019
ZWSPL0024



Cleaning product CHROMOL

2000105091
ZWSPL0023
