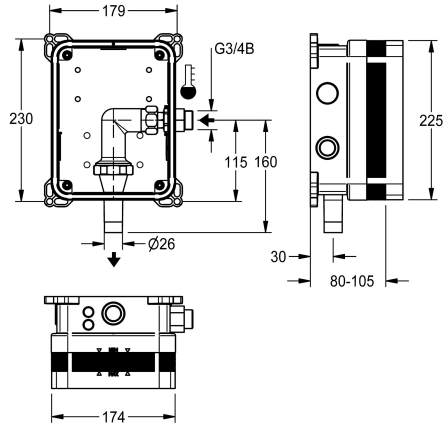
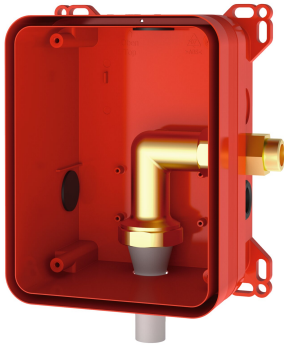


KWC R3 System box for WC flush valve

Modell-Linie: F3 | F3BF4001
Flushing systems | Basic installation kits for flushing system



KWC-No.

2030068205

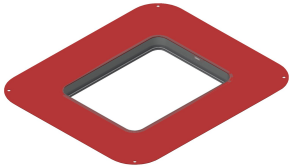
R3 system box for WC flush valve

NEW

R3 Basic installation kit for in-wall installation of finished installation kits for WC flushing valve DN 20. System box made of plastic, 174

x 225 mm, with screw connections, flush pipe connection, shell protection, flush connector for flushing and leak test, no stop valve.

Optional Accessories



Sliding adhesive flange

2030041606

ACBX9002