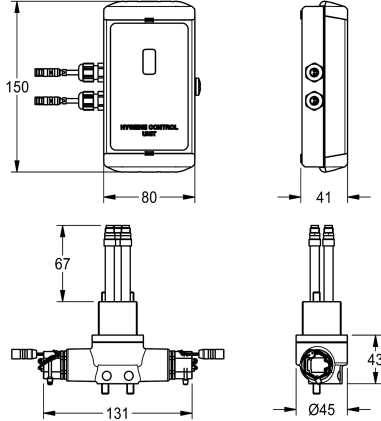


KWC F5L

Hygiene unit for single lever mixers

Modell-Linie: F5 | ACLX1003

Taps | Complementary parts taps



KWC-No.

2030068985

Hygiene unit for surface-mounting for F5L single-lever mixers with projection 100 mm

2030068986

Hygiene unit for surface-mounting for F5L single-lever mixers with projection 125 mm

Hygiene unit for F5L single lever mixer, projection 125 mm, for performing automatic hygiene flushing and program-controlled thermal disinfection. Function block with 2 solenoid valve cartridges and electronic control unit made of plastic for wall-mounting, for battery or mains operation, 6 V DC. Activated water hygiene flushing, fixed interval of 24 hours and

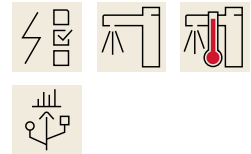
saving of statistical data. With option for parameterization and communication via optional, bidirectional remote control.

Battery compartment including battery or plug-in power supply unit must be ordered separately.

Technical Data

quantity	1
quantity uom	piece

1
piece



Mandatory Accessories



Battery compartment

360002063

ACEX9023

Plug-in power supply unit

360002062

ACEX9022

KWC F5L

Hygiene unit for single lever mixers

Modell-Linie: F5 | ACLX1003

Taps | Complementary parts taps

Optional Accessories



**Bidirectional remote control for
electronical fittings F3 and F5**

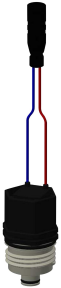
2030036654
ACEX9005



**2-button remote control for fittings F3
and F5**

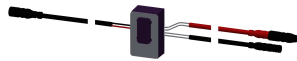
2030036849
ACEX9004

Spare Parts



Solenoid valve cartridge

2030003033
EAQFU0001



Sensor, ID 82/00001

2030041487
ASLM1003