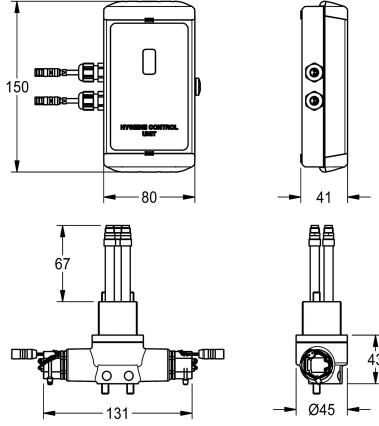


## KWC F5L

Hygiene unit for single lever mixers

Modell-Linie: F5 | ACLX1003

Taps | Complementary parts taps



### KWC-No.

#### 2030068985

Hygiene unit for surface-mounting for F5L single-lever mixers with projection 100 mm

#### 2030068986

Hygiene unit for surface-mounting for F5L single-lever mixers with projection 125 mm

Hygiene unit for F5L single lever mixer, projection 125 mm, for performing automatic hygiene flushing and program-controlled thermal disinfection. Function block with 2 solenoid valve cartridges and electronic control unit made of plastic for wall-mounting, for battery or mains operation, 6 V DC. Activated water hygiene flushing, fixed interval of 24 hours and

saving of statistical data. With option for parameterization and communication via optional, bidirectional remote control.

Battery compartment including battery or plug-in power supply unit must be ordered separately.

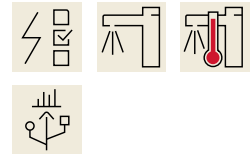
### Technical Data

quantity

1

quantity uom

piece



### Mandatory Accessories



#### Battery compartment

##### 3600002063

ACEX9023

#### Plug-in power supply unit

##### 3600002062

ACEX9022

## KWC F5L

Hygiene unit for single lever mixers

Modell-Linie: F5 | ACLX1003

Taps | Complementary parts taps

### Optional Accessories



**Bidirectional remote control for  
electronical fittings F3 and F5**

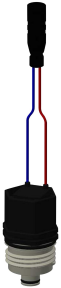
**2030036654**  
ACEX9005



**2-button remote control for fittings F3  
and F5**

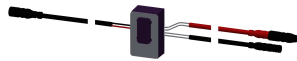
**2030036849**  
ACEX9004

### Spare Parts



**Solenoid valve cartridge**

**2030003033**  
EAQFU0001



**Sensor, ID 82/00001**

**2030041487**  
ASLM1003