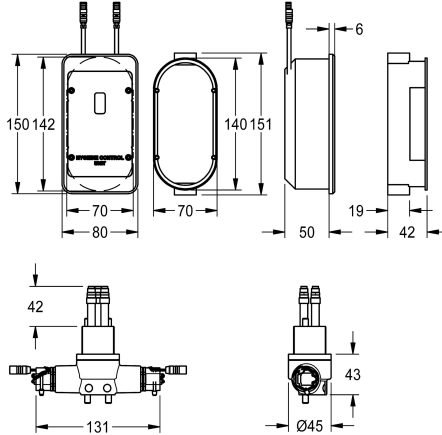


## KWC F5L

Hygiene unit for in-wall installation for F5L single lever mixers

Modell-Linie: F5 | ACLX1005

Taps | Complementary parts taps



### KWC-No.

#### 2030068987

Hygiene unit for in-wall installation for F5L single lever mixers with projection 100 mm

#### 2030068988

Hygiene unit for in-wall installation for single lever mixers with projection 125 mm

Hygiene unit for F5L single lever mixer, projection 100 mm, for performing automatic hygiene flushing and program-controlled thermal disinfection. Function block with 2 solenoid valve cartridges and an electronic control unit for installation in walls with flush box and cover made of plastic 150 x 80 mm, for battery or mains operation, 6 V DC. Activated water hygiene flushing, fixed interval of

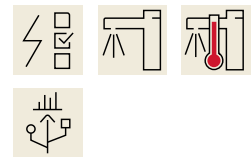
24 hours and saving of statistical data. With option for parameterization and communication via optional, bidirectional remote control.

Battery compartment incl. battery or wall-mounted power supply unit must be ordererd separately.

### Technical Data

quantity	1
quantity uom	piece

quantity	1
quantity uom	piece



### Mandatory Accessories



#### Battery compartment

360002063  
ACEX9023

#### In-wall power supply

2030039825  
ACEX9003

## KWC F5L

Hygiene unit for in-wall installation for F5L single lever mixers

Modell-Linie: F5 | ACLX1005

Taps | Complementary parts taps

### Optional Accessories



**Bidirectional remote control for  
electronical fittings F3 and F5**

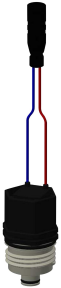
**2030036654**  
ACEX9005



**2-button remote control for fittings F3  
and F5**

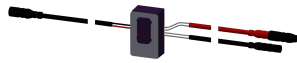
**2030036849**  
ACEX9004

### Spare Parts



**Solenoid valve cartridge**

**2030045522**  
ACXX9002



**Sensor, ID 82/00001**

**2030041487**  
ASLM1003