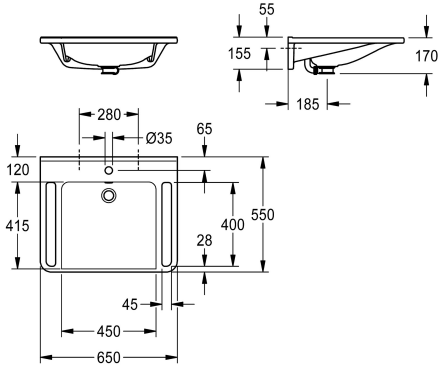


KWC MEDCARE

Single washbasin, barrier-free

Modell-Linie: MEDCARE | JANMW0039

Washbasins & Washtroughs | Wash basins



KWC-No.

2030070764

2030072426
without tap hole

number of tap holes

1

MEDCARE single washbasin made of MIRANIT resin-bonded mineral material with pore-free smooth surface (temperature-resistant up to 80 °C). Alpine white colour. Roll-under, with integrated grab rails, seamless moulded bowl, overflow and tap hole 35 mm (D). Mounting on washbasin back panel. Rear surge

edge, including mounting material.

Dimensions 650 x 150 x 550 mm (W x H x D)
Bowl dimensions 450 x 117 x 415 mm (W x H x D)

Technical Data

barrier-free
type of basin
bowl position
colour
material
material code
overall depth
overall height
overall width
overflow
overflow position
rear upstand
siphon diameter
siphon included
splash back
number of tap holes
tap hole diameter
tap hole position
tap ledge
type of mounting
waste hole position
waste sleeve included
Colour strip

yes
Wash basin
Center
alpinewhite
mineral material
Miranit
550 mm
150 mm
650 mm
yes
back
yes
DN 32
no
no
1
35 mm
middle
yes
wall mounting
centre back
no
no



KWC MEDCARE

Single washbasin, barrier-free

Modell-Linie: MEDCARE | ANMW0039

Washbasins & Washtroughs | Wash basins

Optional Accessories



Dome waste valve, chrome-plated

2030057337

ZANMW0030
