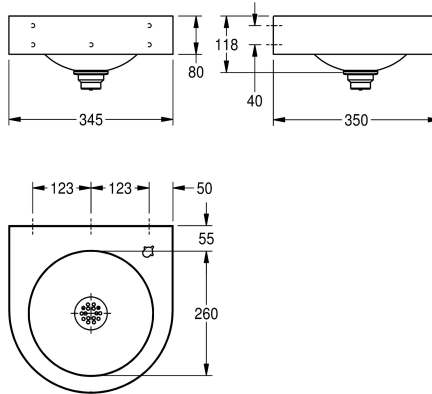
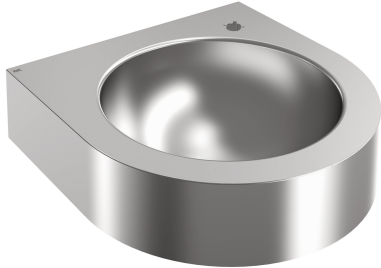


## KWC ANIMA Wall-mounted drinking fountain

Modell-Linie: ANIMA | ANMX35L  
Drinking fountains | Drinking fountains



### KWC-No.

**2030072219**

ANIMA wall-mounted drinking fountain, stainless steel, satin finished surface, material thickness 1 mm, seamlessly integrated round bowl without overflow, with circumferential apron, 55 mm tap ledge with tap hole, strainer waste G 1 1/4 B, including mounting material.

Dimensions 345 x 118 x 350 mm (W x H x D)  
Bowl dimensions 260 x 118 mm (D x H)

Drinking fountain tap or bottle filler tap must be ordered separately.

### Technical Data

bowl - depth	118 mm
bowl - width	260 mm
material	stainless steel
material code	1.4301 Chrome Nickel steel V2A
material thickness	1 mm
outlet size	G 1 1/4 B
overall depth	350 mm
overall height	118 mm
overall width	345 mm
surface finish	satin finished
type of mounting	wall mounting
waste hole position	centre
waste kit included	yes

### Mandatory Accessories





## KWC ANIMA

Wall-mounted drinking fountain

Modell-Linie: ANIMA | ANMX35L

Drinking fountains | Drinking fountains

### ANIMA drinking fountain tap

---

**213.0654.085**

ANMX-BU

---

### Self-closing drinking bubbler

---

**2000101118**

AQRM304

---

### ANIMA bottle filler tap

---

**213.0654.086**

ANMX-BT

---