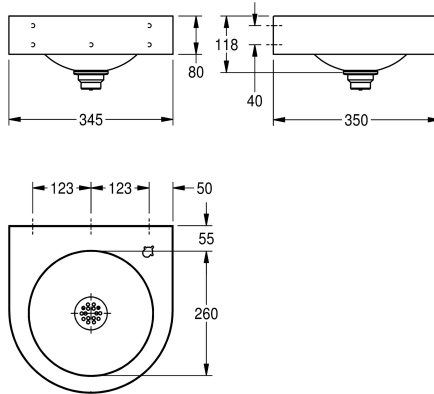
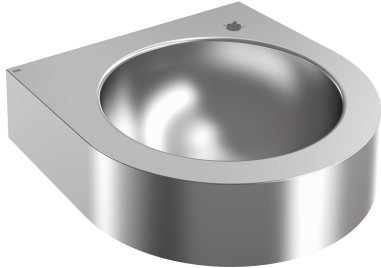


KWC ANIMA Wall-mounted drinking fountain

Modell-Linie: ANIMA | ANMX35L
Drinking fountains | Drinking fountains



KWC-No.

2030072219

ANIMA wall-mounted drinking fountain, stainless steel, satin finished surface, material thickness 1 mm, seamlessly integrated round bowl without overflow, with circumferential apron, 55 mm tap ledge with tap hole, strainer waste G 1 1/4 B, including mounting material.

Dimensions 345 x 118 x 350 mm (W x H x D)
Bowl dimensions 260 x 118 mm (D x H)

Drinking fountain tap or bottle filler tap must be ordered separately.

Mandatory Accessories



ANIMA drinking fountain tap

213.0654.085
ANMX-BU



Self-closing drinking bubbler

2000101118
AQRM304



ANIMA bottle filler tap

213.0654.086
ANMX-BT